

Application

Used in conjunction with the Single Run system. It is suitable for light commercial and residential applications.

To accommodate different building designs, panels can slide to one or both sides.

Simultaneous opens bi-parting panels symmetrically. Operating one panel will drive the other panel in the opposite direction at the same time.

Panel Specification

As per the Single Run systems.

Note: Weight restrictions applies when using soft close.

Track System: Single Run	100	120	180	350
For Individual Panels:				
Max Panel Height	3000mm	3000mm	3000mm	3000mm
Max Panel Weight	100kg	100kg	100kg	100kg
Panel Thickness	28mm	28mm	35mm	35mm
Max Panel Weight with soft close (per panel)	50kg	50kg		

For ease of operation it is recommended that the panel width should not exceed 75% of panel height.

Timber panels for interior use can be of flush construction or glazed. Timber panels for industrial applications should be framed, ledged and braced. Metal panels should be constructed of box section, channel or angle framing, well braced and clad with flat or corrugated sheets.

Standard Sets and Packs

Sets comprise of clamped pulley, belt connector, belt clamp, floor guide and toothed belt.

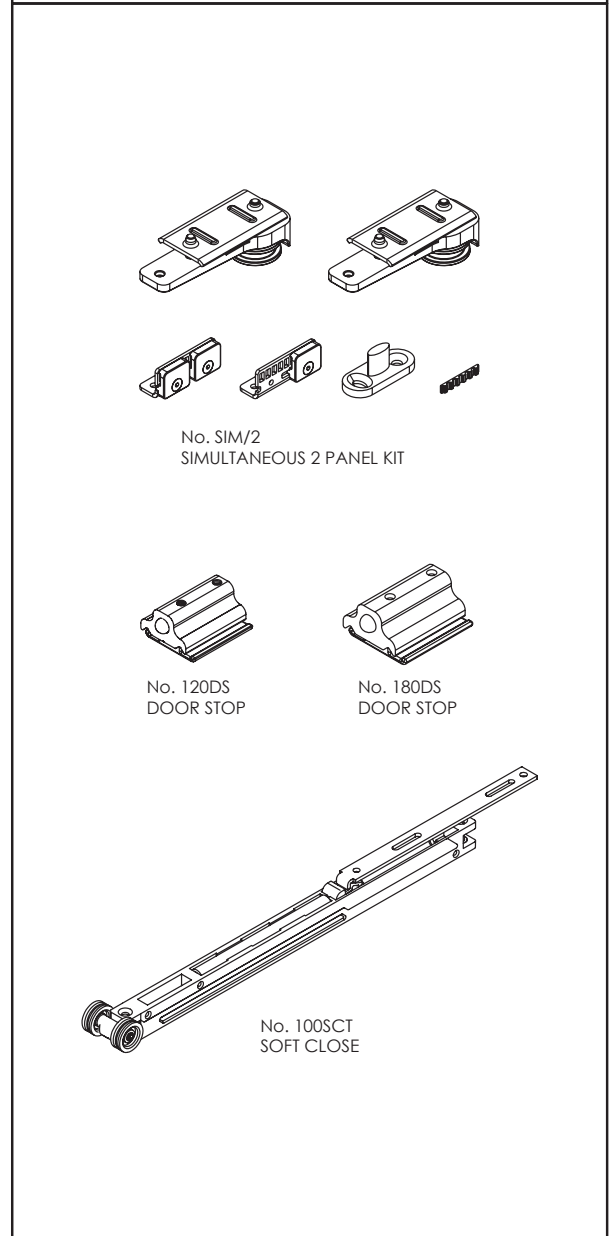
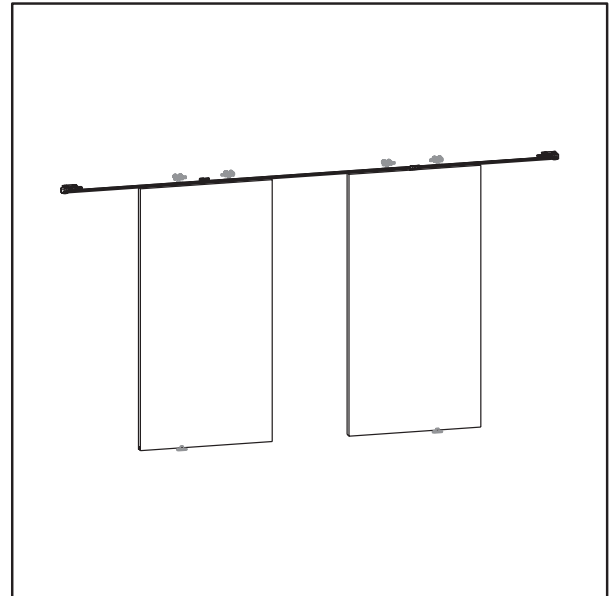
Set No:	Max panel width
SIM/2	1450mm

Hardware Specification

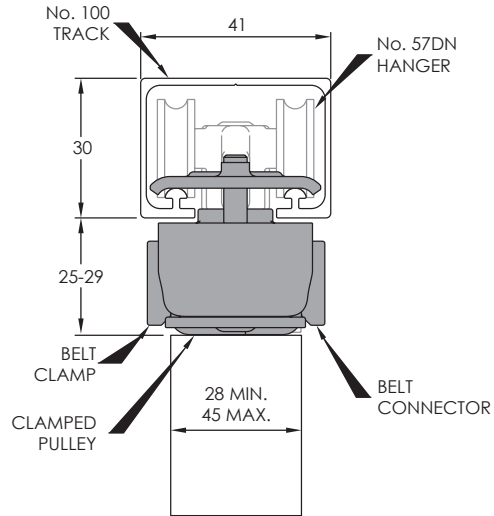
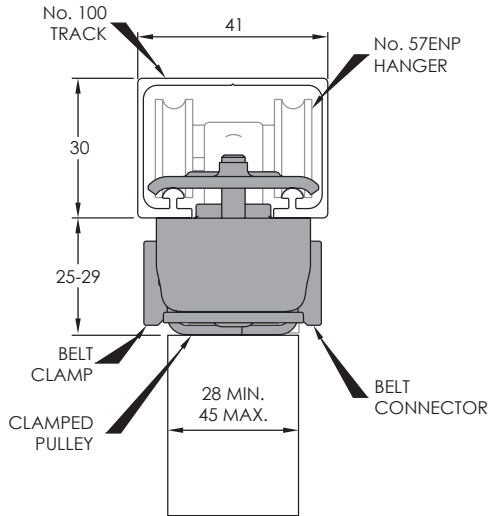
Track:	100, 120A, 180A, & 350
Material	Aluminium
Finish	Mill or clear anodised*
Standard Lengths	2000mm, 3000mm, 4000mm & 6000mm

Accessories:	120DS or 180DS
Door Stop	120DS or 180DS
Soft Close	100 SCT*
Fascia	123, 183, 353

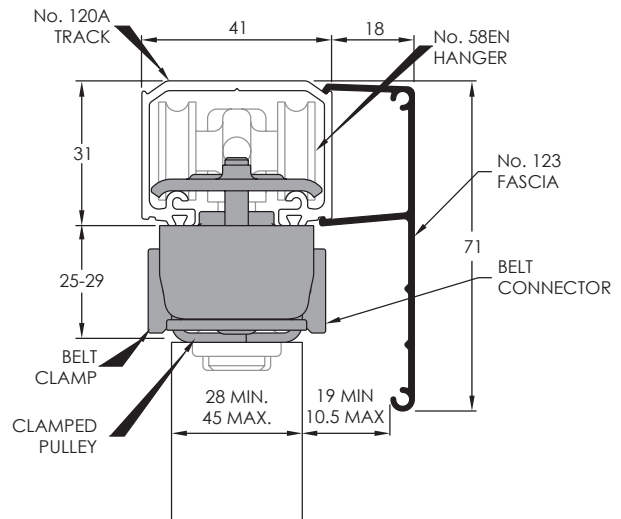
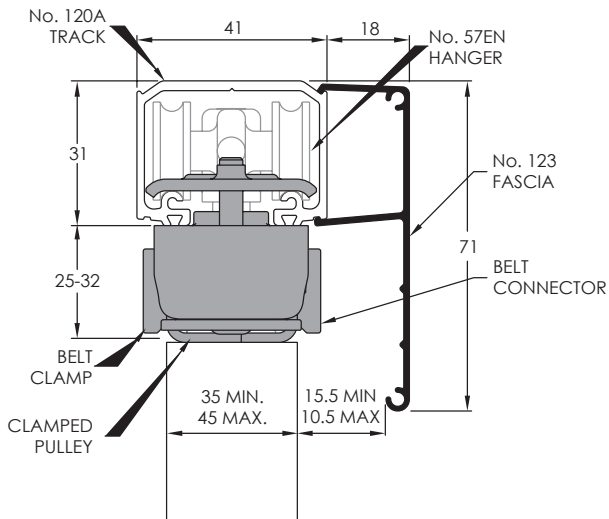
*When using soft close, clear anodised track to be used



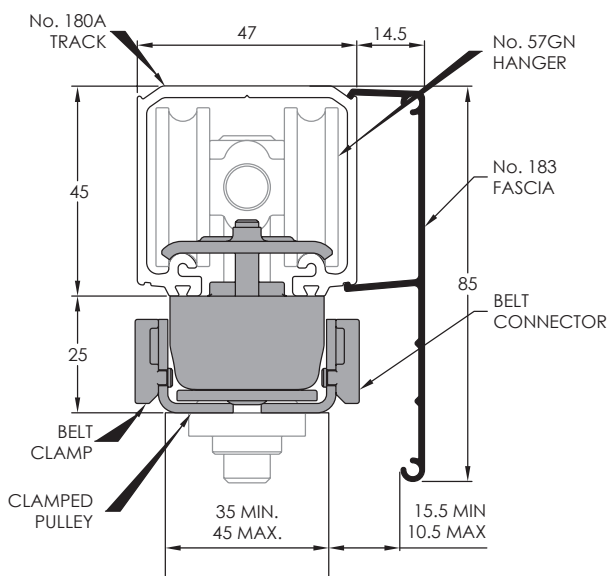
SIMULTANEOUS KIT
SINGLE RUN 100



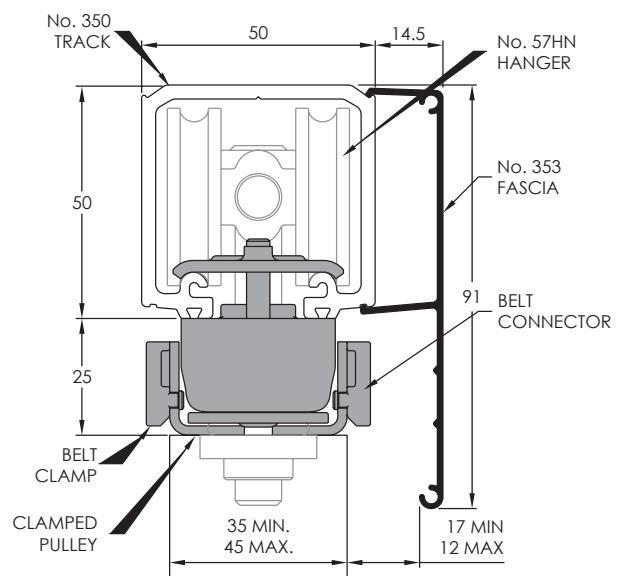
SIMULTANEOUS KIT
SINGLE RUN 120



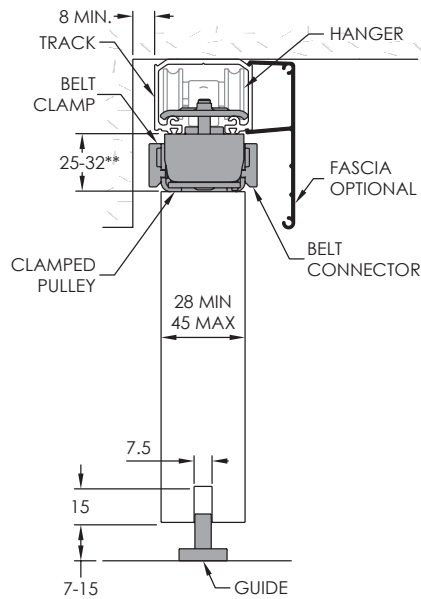
SIMULTANEOUS KIT
SINGLE RUN 180



SIMULTANEOUS KIT
SINGLE RUN 350

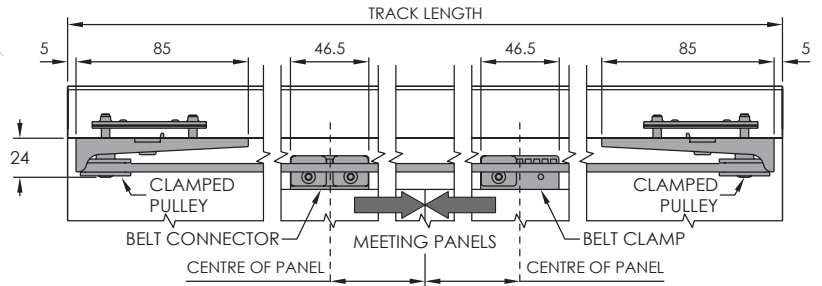


2 PANEL SIMULTANEOUS SINGLE RUN 100 HANGERS SHOWN



** MAX CLEARANCE DEPENDENT ON SINGLE RUN USED

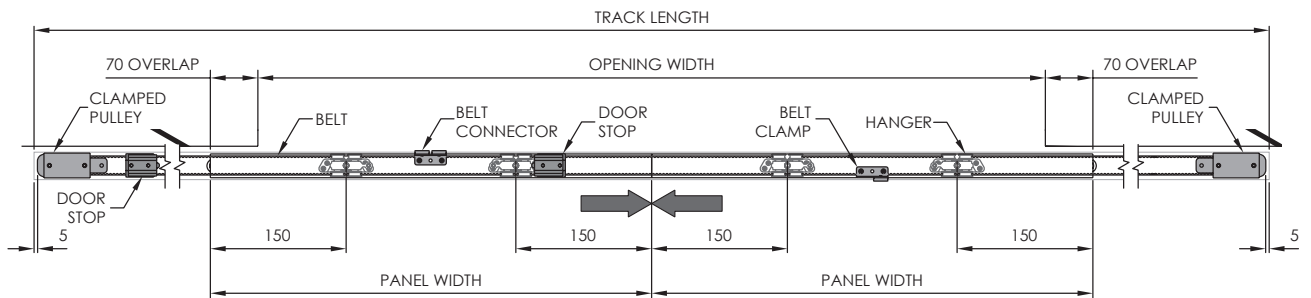
SIMULTANEOUS KIT HARDWARE



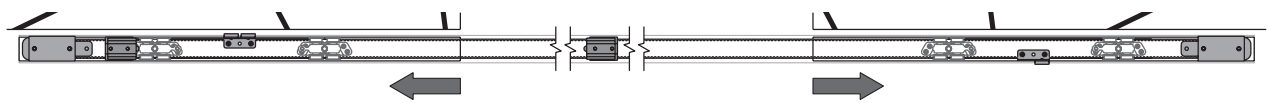
SIMULTANEOUS KIT SPECIFICATIONS

SINGLE RUN	100	120	180	350
MAX PANEL WEIGHT	100KG	100KG	100KG	100KG
SOFT CLOSE OPTION MAX PANEL WEIGHT	50KG PER PANEL	50KG PER PANEL	N/A	N/A
FASCIA OPTION	N/A			

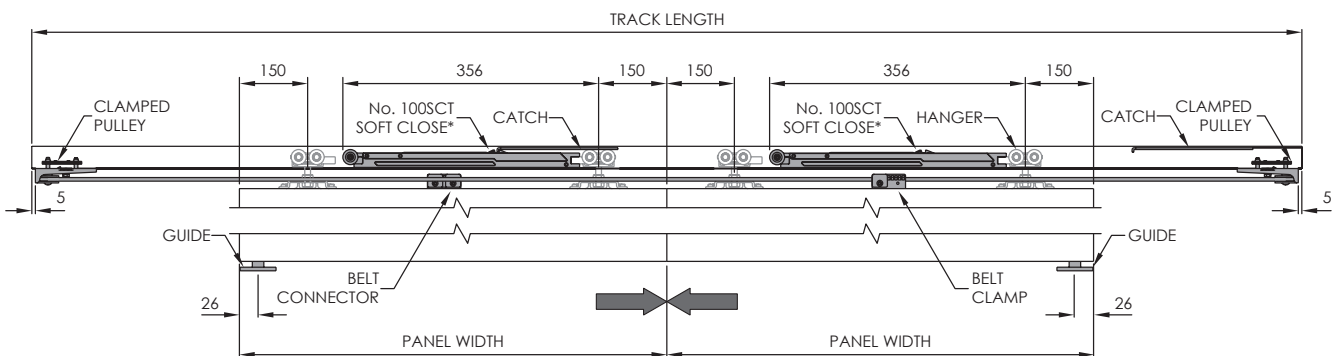
2 PANEL SIMULTANEOUS - CLOSED POSITION



2 PANEL SIMULTANEOUS - OPEN POSITION



2 PANEL SIMULTANEOUS - SOFT CLOSE OPTION DOUBLE SOFT CLOSE SEPARATE PANELS - MAX 50KG PER PANEL



*WHEN USING No. 100SCT SOFT CLOSE:
1. CLEARANCE 25-29
2. No. 100 TRACK TO BE USED WITH AN ANODISED FINISH ONLY, NO FASCIA OPTION AVAILABLE
3. No. 120A TRACK TO BE USED WITH AN ANODISED FINISH ONLY, FASCIA OPTION AVAILABLE