

Applications

Brio's Open Bar Rail Timber is an ideal internal system for residential and commercial applications of timber panels with face fix hangers and flat bar rail.

Open Bar Rail Timber 80 hangers use precision bearings with nylon tyre.

Panel Specification

| Track System: | Open Bar Rail Timber 80 |
|------------------------|-------------------------|
| For Individual Panels: | |
| Max Panel Height | 3000mm |
| Max Panel Width | 1100mm |
| Max Panel Weight | 80kg |
| Panel Thickness | 35-44mm |

Standard Sets

Sets include hangers, door stops, guide, brackets, fixings and rail.

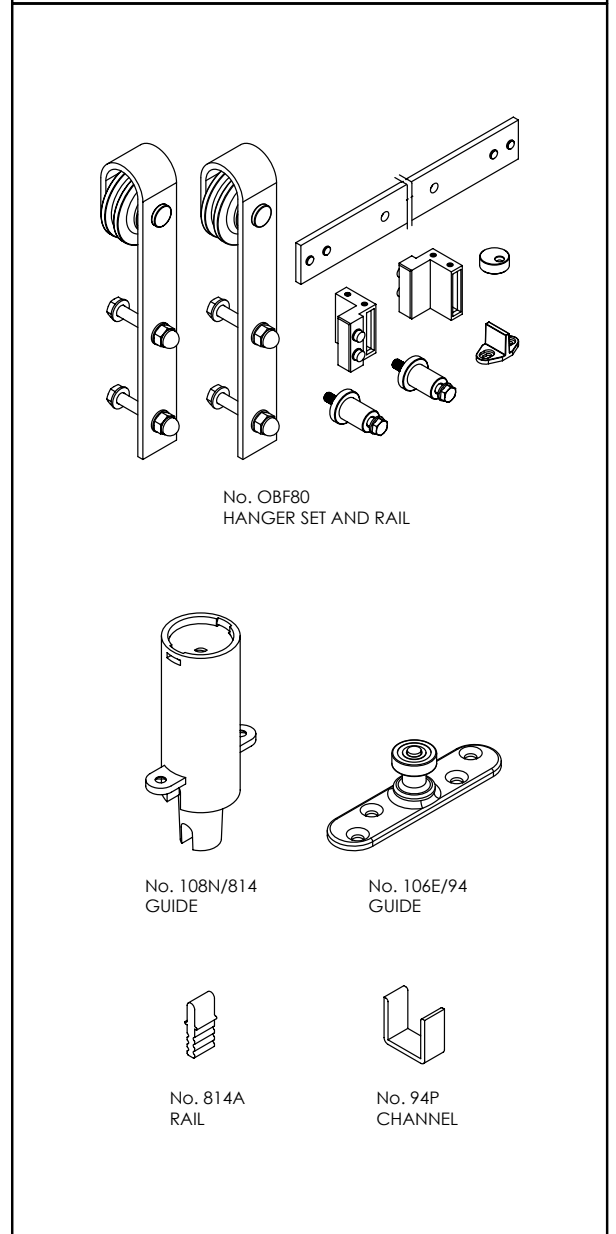
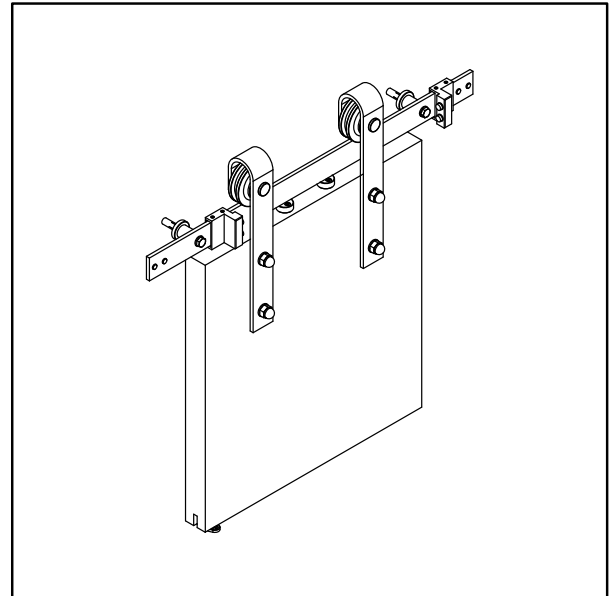
| Set No. | Max. Panel Width | Rail Length | Material |
|------------|------------------|-------------|------------------------------|
| OBF80-20 | 850mm | 2000mm | Stainless steel |
| OBF80-20PB | 850mm | 2000mm | Mild steel powder coat black |
| OBF80-25 | 1100mm | 2500mm | Stainless steel |
| OBF80-25PB | 1100mm | 2500mm | Mild steel powder coat black |

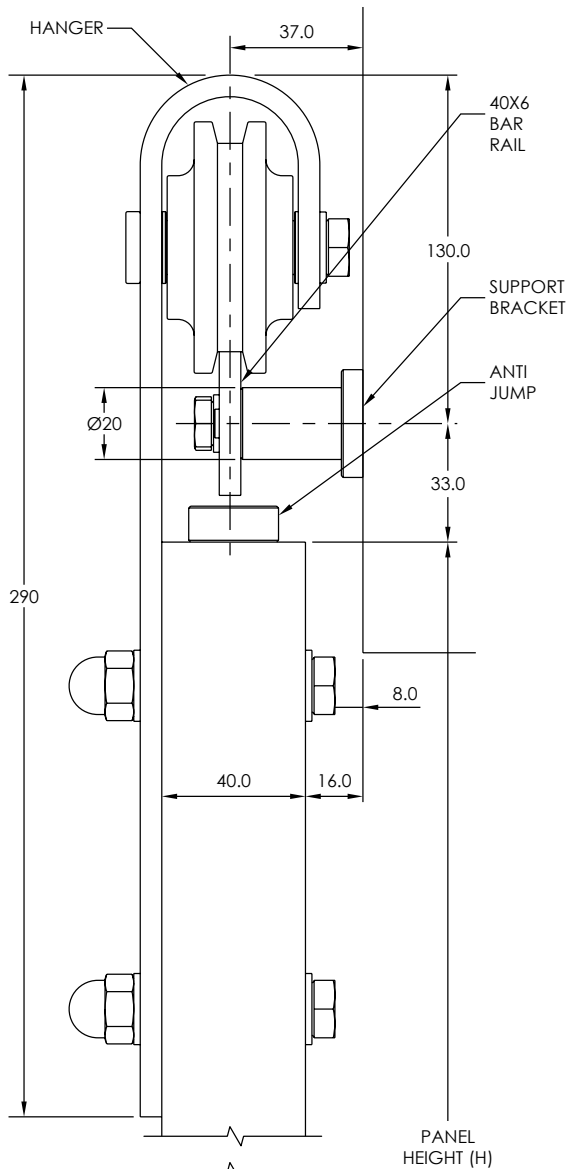
Hardware Specification

| Alternative Guides: | |
|--|-----------|
| Timber panels - SS plate (94 channels) | 106E/94 |
| Timber panels - SS plate (96W channel) | 106SSMF |
| Timber panels - nylon guide | 101N |
| Multiple panels | 102W/94SS |
| Nylon spring loaded guide | 108N/814 |

| Channels: | |
|---------------------------|-----------------------------------|
| Aluminium & Polypropylene | 94PPA Mill or clear anodised |
| Aluminium | 94A Mill or clear anodised |
| | 96W Clear anodised |
| | 814A Rail anodised |
| Standard lengths | 2000mm, 3000mm, 4000mm and 6000mm |

| Bracket: | |
|-----------------|--------------------|
| Joining bracket | 80B-JB or 80B-JBPB |

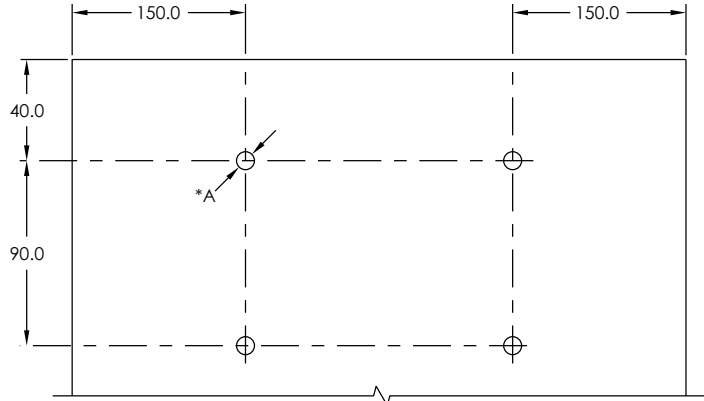




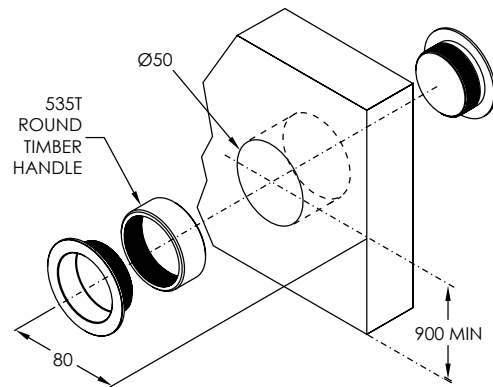
DOOR PREPARATION

HANGERS (INSIDE FACE OF DOOR SHOWN)

A = STANDARD NUT AND BOLT OPTION PILOT HOLE Ø10.0 X 4
 COACH SCREW PILOT HOLE Ø8.0 X 4



ROUND TIMBER HANDLE (OPTIONAL)



OPTIONAL GUIDES

