

Brio® X Y Adjustable 2D hinges

Brio Australia
 P: +61 2 87186718
 W: brio.com.au
 E: brio.sales@allegion.com

Brio UK
 P: +44 191 2291224
 W: briouk.com
 E: brio.sales.uk@allegion.com

Brio USA
 P: +1 585 3195599
 W: briouusa.com
 E: brio.sales.usa@allegion.com

Codes

BW 9 A - 50 H PBK

Finish: PBK (Alloy Powder Coat Black), PWT (Alloy Powder Coat White), SN (Alloy Satin Nickel), PR (Physical Vapour Deposition Black), SS (Satin Stainless)
 Hinge Type: Non-Mortise Hinge
 Load Capacity: 50kg (110lbs) and 100kg (220lbs) Panels
 Application: A (Aluminium System), T (Wood System)
 Set No.: 9 (Adjustable Hinge Set)

Brio Hinge Set

Sets No finishes shown.

Alu Panels
 50 & 100kg
 BW9A-50H
 BW9A-100H



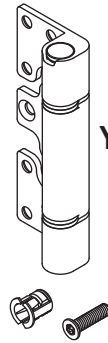
M5x20 Torx x27
 M5 Cage nut x27

Wood Panels
 50 & 100kg
 BW9T-50H
 BW9T-100H



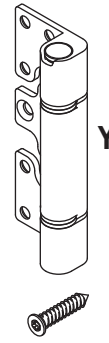
No. 12Gx32 Torx
 Wood screw x27

Additional hinge
 Alu door
 BWA231
 BWA211



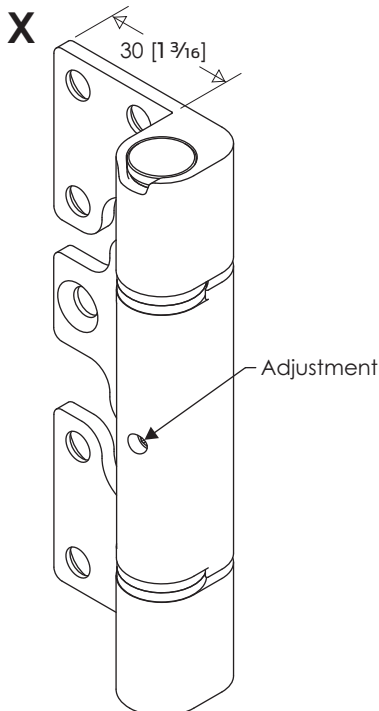
M5x20 Torx x9
 M5 Cage nut x9

Additional hinge
 Wood door
 BWT231
 BWT211

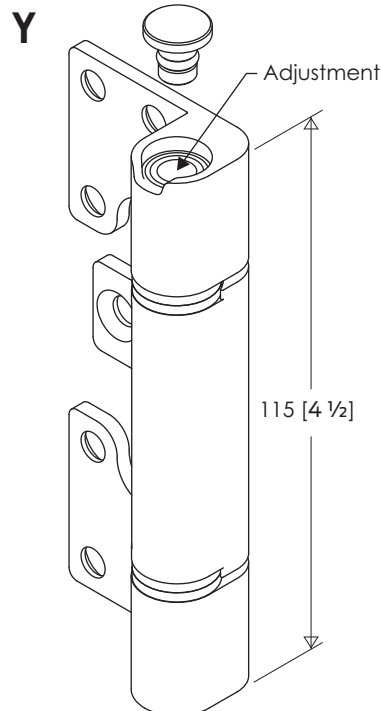


No. 12Gx32 Torx
 Wood screw x9

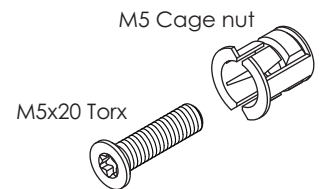
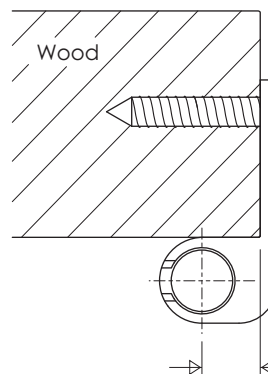
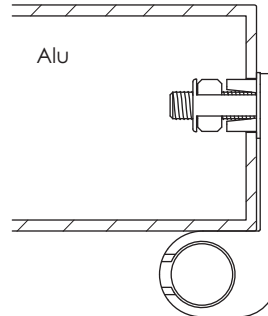
Horizontal x2



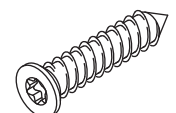
Vertical x1



FIXINGS

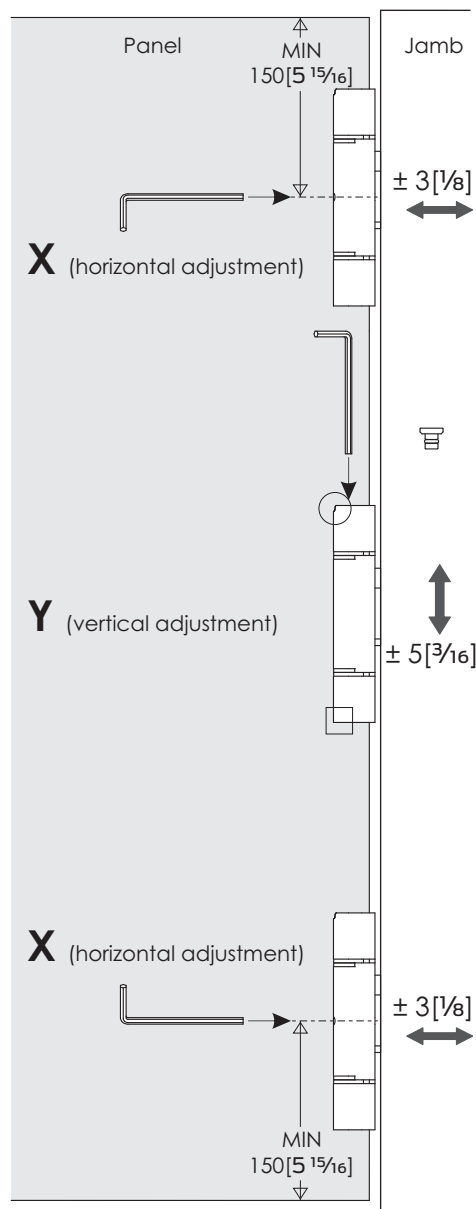


No. 12Gx32 Torx
 Wood screw

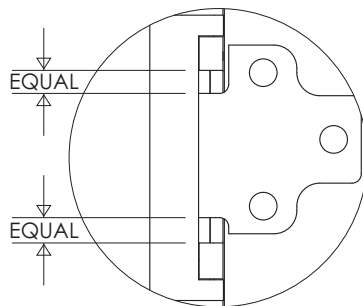


Installation

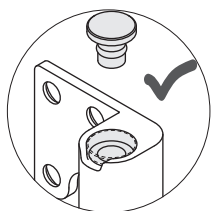
Position



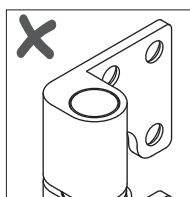
Important



*All flags must be fixed central to ensure maximum adjustment



Access slot in flag for removable cap
For middle hinge only

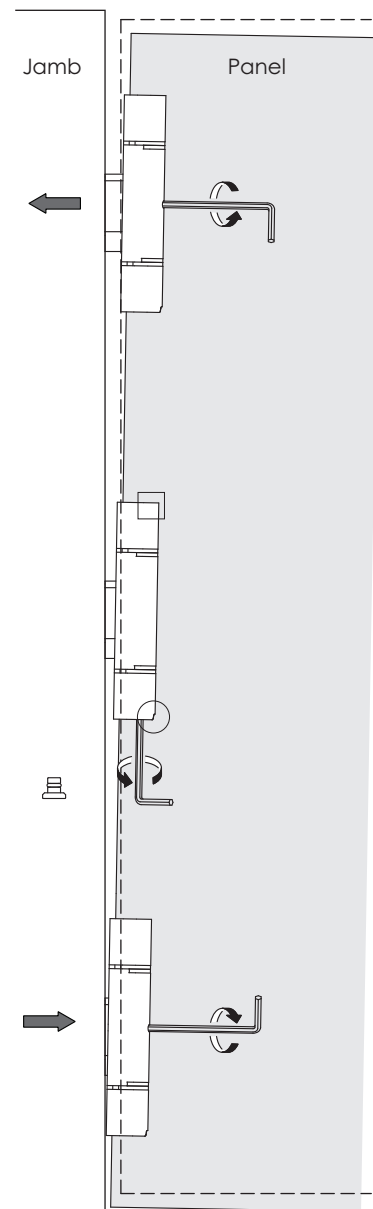


Not removable

Note

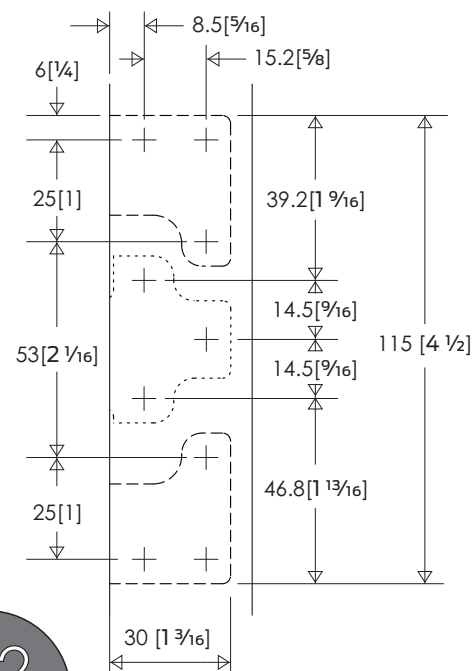
Hinges are non-handed.
Rotate hinges for opposite orientation

Adjustment

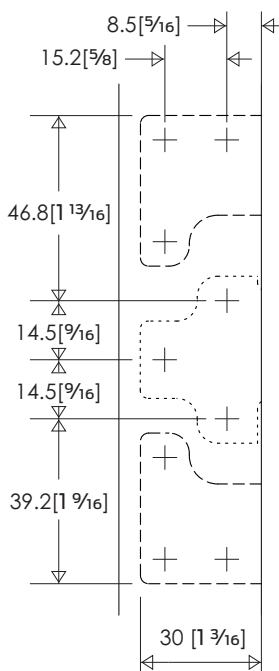


Hole Pattern*

Right jamb orientation

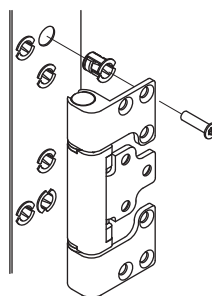


Left jamb orientation



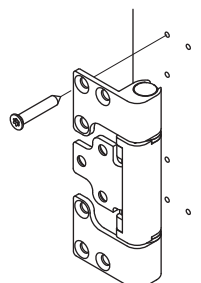
Alu Panel

Clearance hole
Ø10.0mm [3/8]



Wood Panel

Pilot hole of Ø3.5mm [1/8]



4 hinge configuration

