

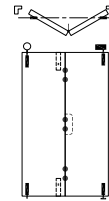
This Guide to Quantities is only applicable to Data Sheets E120 and E130.

### Specification for Individual Panels

|                      | Weatherfold 4s 50 | Weatherfold 4s 100 |
|----------------------|-------------------|--------------------|
| Track System         | E120              | E120               |
| Refer to Data Sheet  |                   |                    |
| Max Panel Height     | 3000mm            | 3300mm             |
| Max Panel Weight     | 50kg              | 75/100kg           |
| Max Panel Width      | 1000mm            | 1000mm             |
| Min Panel Thickness  | 35mm              | 35mm               |
| Max Number of Panels | 8 each direction  | 8 each direction   |

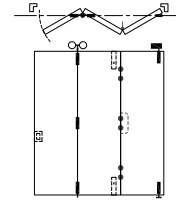
#### 2 Panel Unit

|                   | Quantities | Product Codes |            |
|-------------------|------------|---------------|------------|
| Track             | 1          | 180-A20       | 250-A20    |
| Pivot Set         | 1          | BWS1-100H     | BWS1-100H  |
| Hinge Handle Set  | 1          | BW3-100H      | BW3-100H   |
| End Hanger Set    | 1          | BWS2-50SH     | BWS2-100SH |
| Flush Bolt Top    | 1          | 456*          | 456*       |
| Flush Bolt Bottom | 1          | 456E*         | 456E*      |
| Channel           | 1          | 94PPA-A20     | 94PPA-A20  |



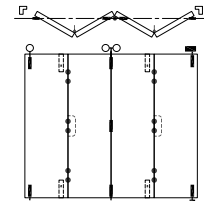
#### 3 Panel Unit

|                         | Quantities | Product Codes |            |
|-------------------------|------------|---------------|------------|
| Track                   | 1          | 180-A30       | 250-A30    |
| Pivot Set               | 1          | BWS1-100H     | BWS1-100H  |
| Offset Hinge Handle Set | 1          | BW7-100H      | BW7-100H   |
| Intermediate Hanger Set | 1          | BWS4-50SH     | BWS4-100SH |
| Flush Bolt Top          | 1          | 456*          | 456*       |
| Flush Bolt Bottom       | 1          | 456E*         | 456E*      |
| Channel                 | 1          | 94PPA-A30     | 94PPA-A30  |



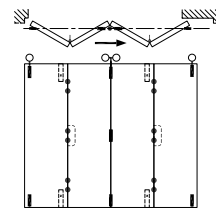
#### 4 Panel Unit

|                         | Quantities | Product Codes |            |
|-------------------------|------------|---------------|------------|
| Track                   | 1          | 180-A40       | 250-A40    |
| Pivot Set               | 1          | BWS1-100H     | BWS1-100H  |
| Offset Hinge Handle Set | 2          | BW7-100H      | BW7-100H   |
| Intermediate Hanger Set | 1          | BWS4-50SH     | BWS4-100SH |
| End Hanger Set          | 1          | BWS2-50SH     | BWS2-100SH |
| Flush Bolt Top          | 2          | 456*          | 456*       |
| Flush Bolt Bottom       | 2          | 456E*         | 456E*      |
| Channel                 | 1          | 94PPA-A40     | 94PPA-A40  |



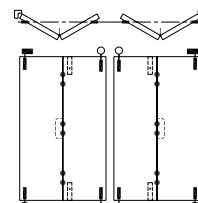
#### 4 Panel Unit 'Floating'

|                         | Quantities | Product Codes |            |
|-------------------------|------------|---------------|------------|
| Track                   | 1          | 180-A40       | 250-A40    |
| Offset Hinge Handle Set | 2          | BW7-100H      | BW7-100H   |
| Intermediate Hanger Set | 1          | BWS4-50SH     | BWS4-100SH |
| End Hanger Set          | 2          | BWS2-50SH     | BWS2-100SH |
| Flush Bolt Top          | 2          | 456*          | 456*       |
| Flush Bolt Bottom       | 2          | 456E*         | 456E*      |
| Channel                 | 1          | 94PPA-A40     | 94PPA-A40  |

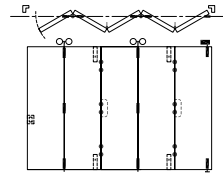


#### 2+2 Panel Unit

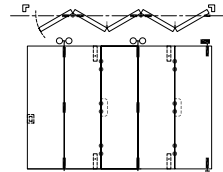
|                      | Quantities | Product Codes |           |
|----------------------|------------|---------------|-----------|
| Track                | 1          | 180-A40       | 250-A40   |
| Pivot Set            | 2          | BWS1-100H     | BWS1-100H |
| Hinge Handle Set     | 2          | BW3-100H      | BW3-100H  |
| Hanger Set - Meeting | 1          | BWS8-50S      | BWS8-100S |
| Flush Bolt Top       | 2          | 456*          | 456*      |
| Flush Bolt Bottom    | 2          | 456E*         | 456E*     |
| Channel              | 1          | 94PPA-A40     | 94PPA-A40 |



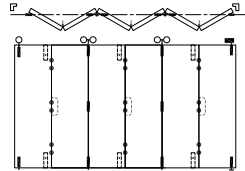
|                         |                   | Weatherfold 4s 50    | Weatherfold 4s 100 |
|-------------------------|-------------------|----------------------|--------------------|
| <b>5 Panel Unit</b>     | <b>Quantities</b> | <b>Product Codes</b> |                    |
| Track                   | 1                 | 180-A60              | 250-A60            |
| Pivot Set               | 1                 | BWS1-100H            | BWS1-100H          |
| Offset Hinge Handle Set | 1                 | BW7-100H             | BW7-100H           |
| Intermediate Hanger Set | 2                 | BWS4-50SH            | BWS4-100SH         |
| Hinge Handle Set        | 1                 | BW3-100H             | BW3-100H           |
| Flush Bolt Top          | 2                 | 456*                 | 456*               |
| Flush Bolt Bottom       | 2                 | 456E*                | 456E*              |
| Channel                 | 1                 | 94PPA-A60            | 94PPA-A60          |



|                         |                   | Weatherfold 4s 50    | Weatherfold 4s 100 |
|-------------------------|-------------------|----------------------|--------------------|
| <b>6 Panel Unit</b>     | <b>Quantities</b> | <b>Product Codes</b> |                    |
| Track                   | 1                 | 180-A60              | 250-A60            |
| Pivot Set               | 1                 | BWS1-100H            | BWS1-100H          |
| Offset Hinge Handle Set | 2                 | BW7-100H             | BW7-100H           |
| Intermediate Hanger Set | 2                 | BWS4-50SH            | BWS4-100SH         |
| Hinge Handle Set        | 1                 | BW3-100H             | BW3-100H           |
| End Hanger Set          | 1                 | BWS2-50SH            | BWS2-100SH         |
| Flush Bolt Top          | 3                 | 456*                 | 456*               |
| Flush Bolt Bottom       | 3                 | 456E*                | 456E*              |
| Channel                 | 1                 | 94PPA-A60            | 94PPA-A60          |



|                                |                   | Weatherfold 4s 50    | Weatherfold 4s 100 |
|--------------------------------|-------------------|----------------------|--------------------|
| <b>6 Panel Unit 'Floating'</b> | <b>Quantities</b> | <b>Product Codes</b> |                    |
| Track                          | 1                 | 180-A60              | 250-A60            |
| Offset Hinge Handle Set        | 2                 | BW7-100H             | BW7-100H           |
| Intermediate Hanger Set        | 2                 | BWS4-50SH            | BWS4-100SH         |
| Intermediate Hinge Set         | 1                 | BW3-100H             | BW3-100H           |
| End Hanger Set                 | 2                 | BWS2-50SH            | BWS2-100SH         |
| Flush Bolt Top                 | 3                 | 456*                 | 456*               |
| Flush Bolt Bottom              | 3                 | 456E*                | 456E*              |
| Channel                        | 1                 | 94PPA-A60            | 94PPA-A60          |



\*Note, for aluminium systems refer to data sheet E130. On 2+2 units replace BWS8-50 or BWS8-100 with quantity 2 BWS2-50F or BWS2-100F respectively.

Replace 456 and 456RE flush bolts with 512 and 512E respectively. Alternatively top and bottom flush bolts can be replaced with dual point lock 286 in timber and aluminium.

### Application

For residential and commercial folding systems where weatherproofing of the opening is required.

This section covers Weatherfold 4s 50 & 100 hardware suitable for non mortice timber applications.

For extra corrosion resistance, Weatherfold 4s is supplied with precision stainless steel bearings. Hangers are cast 316 marine stainless steel.

### Panel Specification

| Track System:        | Weatherfold 4s 50 | Weatherfold 4s 100 |
|----------------------|-------------------|--------------------|
| Max Panel Height     | 3000mm            | 3300mm             |
| Max Panel Weight     | 50kg              | 100kg              |
| Max Panel Width      | 1000mm            | 1000mm             |
| Panel Thickness      | 35mm              | 35mm               |
| Max Number of Panels | 8 each direction  | 8 each direction   |

### Hardware Specification

| Track:           | 180                                 | 250 |
|------------------|-------------------------------------|-----|
| Material         | Aluminium in Mill or Clear Anodised |     |
| Standard Lengths | 2000mm, 3000mm, 4000mm and 6000mm   |     |

| Hanger Sets:  | BWS4-50SH | BWS4-100SH |
|---|-----------|------------|
| Intermediate Hanger Set:                              | BWS4-50SH | BWS4-100SH |
| End Hanger Set:                                       | BWS2-50SH | BWS2-100SH |
| Meeting Door Hanger Set - Rebate (includes 2 hangers) | BWS8-50   | BWS8-100   |

| Pivot Set: | BWS1-100H | BWS1-100H |
|------------|-----------|-----------|
|            | BWS1-100H | BWS1-100H |

| Jamb Pivot: | BW189H | BW189H |
|-------------|--------|--------|
|             | BW189H | BW189H |

| Hinge Sets:             | BW3-100H | BW3-100H |
|-------------------------|----------|----------|
| Hinge Handle Set        | BW3-100H | BW3-100H |
| Offset Hinge Handle Set | BW7-100H | BW7-100H |
| Hinge Set               | BW5-100H | BW5-100H |
| Offset Hinge Set        | BW6-100H | BW6-100H |

| Channels:             | 94P                               | 94P   |
|-----------------------|-----------------------------------|-------|
| Polypropylene         | 94P                               | 94P   |
| Polyprop Plus Support | 94PPA                             | 94PPA |
| Aluminium             | 94A                               | 94A   |
| Standard lengths      | 2000mm, 3000mm, 4000mm and 6000mm |       |

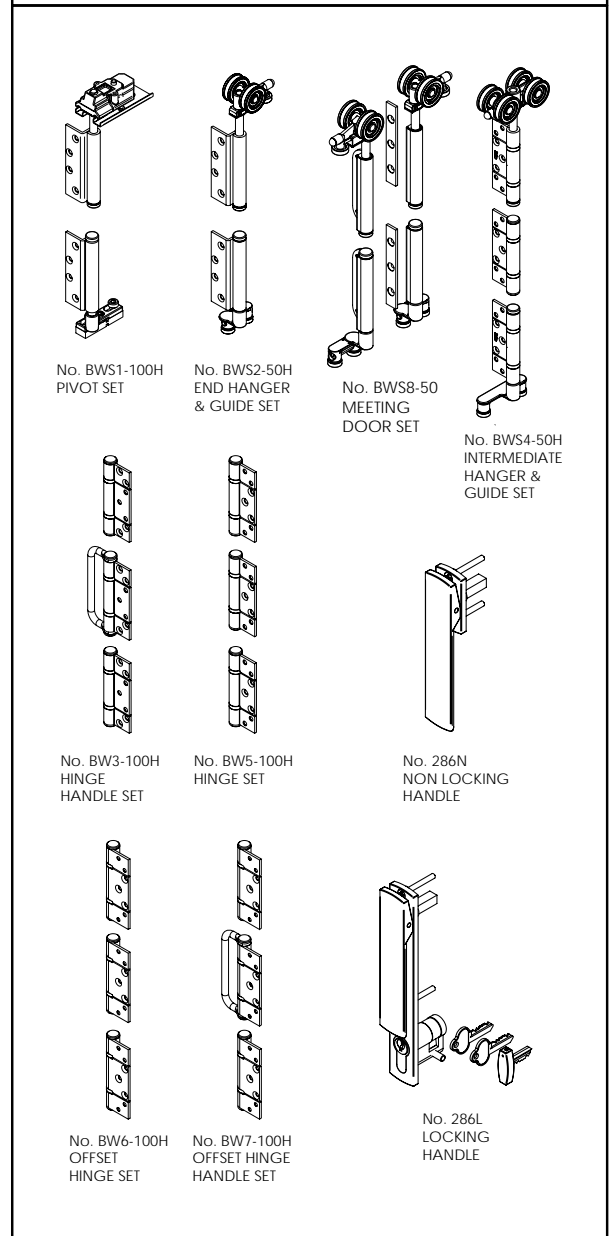
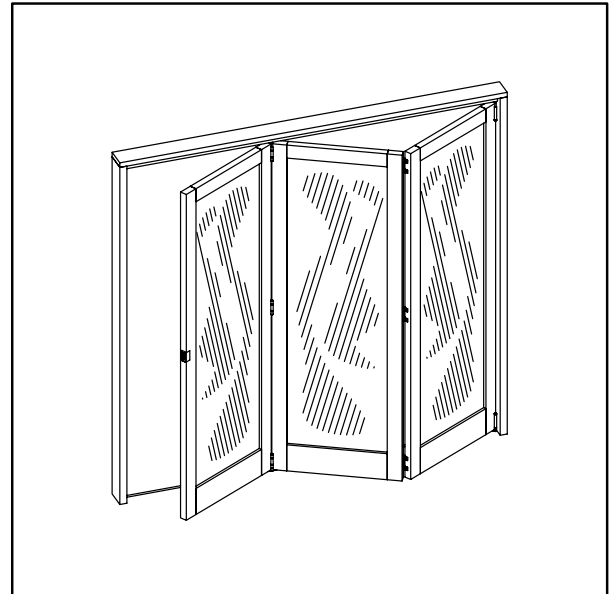
| Accessories:   | 286T/35 | 286T/35 |
|--|---------|---------|
| Lock Body - 35mm back set                                | 286T/35 | 286T/35 |
| Lock Body - 45mm back set                                | 286T/45 | 286T/45 |
| Non Locking Handle                                       | 286N    | 286N    |
| Locking Handle 38-44mm panel                             | 286L-30 | 286L-30 |
| Locking Handle 44mm+ panel (Rod pack dependant on panel) | 286L-30 | 286L-30 |
| Flush Pull   | 401     | 401     |
| Flush Bolt - 190mm                                       | 456     | 456     |
| Flush Bolt - 450mm                                       | 456L    | 456L    |
| Security Aligner   | 199SS   | 199SS   |
| Frame Seal - White                                       | AQ21W   | AQ21W   |
| Frame Seal - Brown                                       | AQ21B   | AQ21B   |
| Door Seal - White  | AQ63W   | AQ63W   |
| Door Seal - Brown  | AQ63B   | AQ63B   |
| Track Seal   | PS13B   | PS13B   |

### Finish options

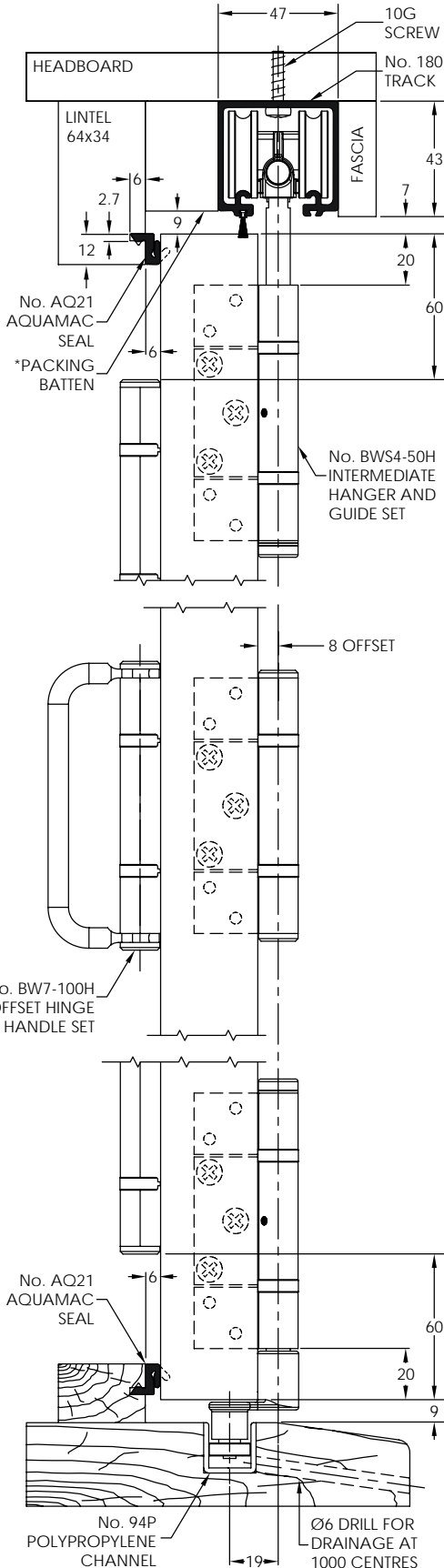
Dual Point Lock: (SS) Satin Stainless, (PS) Polished Stainless, (SN) Satin Nickel, (PBR) Powdercoat Black

Hardware: (SS) Satin Stainless, (PS) Polished Stainless, (PB) PVD Brass.

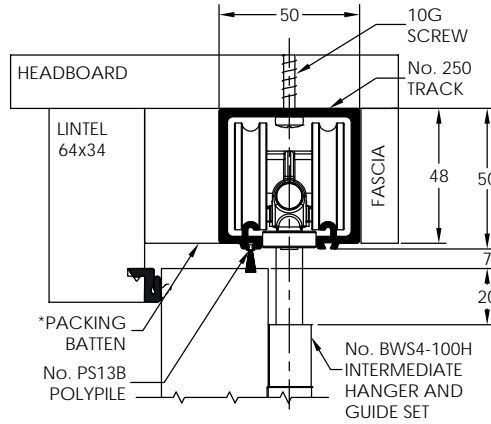
Flush bolts: (SN) Satin Nickel, (PVDB) PVD Brass.



### WEATHERFOLD 4s 50



### WEATHERFOLD 4s 100

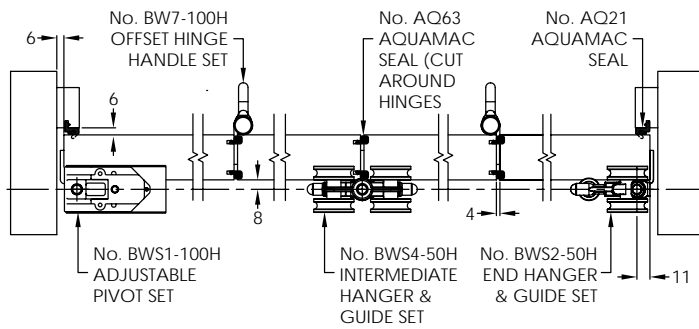


\*PACKING BATTEN THICKNESS

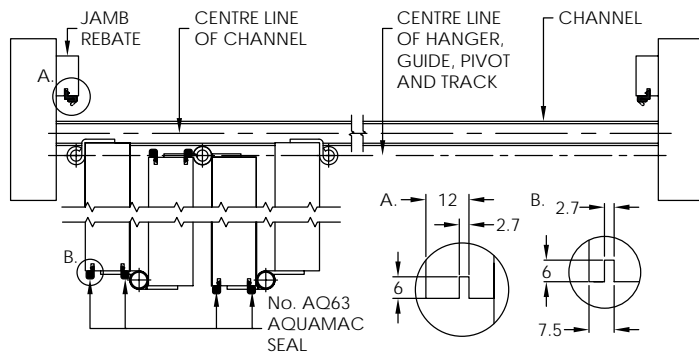
50kg TRACK:  
9.5mm LESS THAN  
PANEL THICKNESS

100kg TRACK:  
11mm LESS THAN  
PANEL THICKNESS

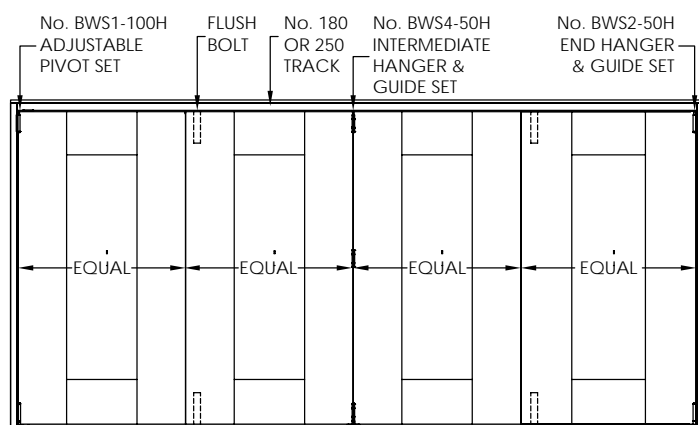
### 4+0 PANEL OUTWARD OPENING SYSTEM - CLOSED (SHOWN WITHOUT TRACK OR HEAD SECTION)



### 4+0 PANEL OUTWARD OPENING SYSTEM - OPEN (SHOWN WITHOUT HEAD SECTION)



### 4+0 PANEL OUTWARD OPENING SYSTEM - CLOSED (TYPICAL OUTSIDE ELEVATION)



### Application

For residential and commercial folding systems where weatherproofing of the opening is required.

This section covers Weatherfold 4s 50 & 100 hardware suitable for non mortice aluminium applications.

For extra corrosion resistance, Weatherfold 4s is supplied with precision stainless steel bearings. Hangers are cast 316 marine stainless steel.

### Panel Specification

| Track System:        | Weatherfold 4s 50 | Weatherfold 4s 100 |
|----------------------|-------------------|--------------------|
| Max Panel Height     | 3000mm            | 3300mm             |
| Max Panel Weight     | 50kg              | 100kg              |
| Max Panel Width      | 1000mm            | 1000mm             |
| Panel Thickness      | 35mm              | 35mm               |
| Max Number of Panels | 8 each direction  | 8 each direction   |

### Hardware Specification

| Track:           | 180                                 | 250 |
|------------------|-------------------------------------|-----|
| Material         | Aluminium in Mill or Clear Anodised |     |
| Standard Lengths | 2000mm, 3000mm, 4000mm and 6000mm   |     |

| Hanger Sets:             |           |            |
|--------------------------|-----------|------------|
| Intermediate Hanger Set: | BWS4-50SH | BWS4-100SH |
| End Hanger Set:          |           |            |
| Face Fix                 | BWS2-50SF | BWS2-100SF |
| Edge Fix                 | BWS2-50SH | BWS2-100SH |

| Pivot Set: |           |           |
|------------|-----------|-----------|
| Face Fix   | BWS1-100F | BWS1-100F |
| Edge Fix   | BWS1-100H | BWS1-100H |

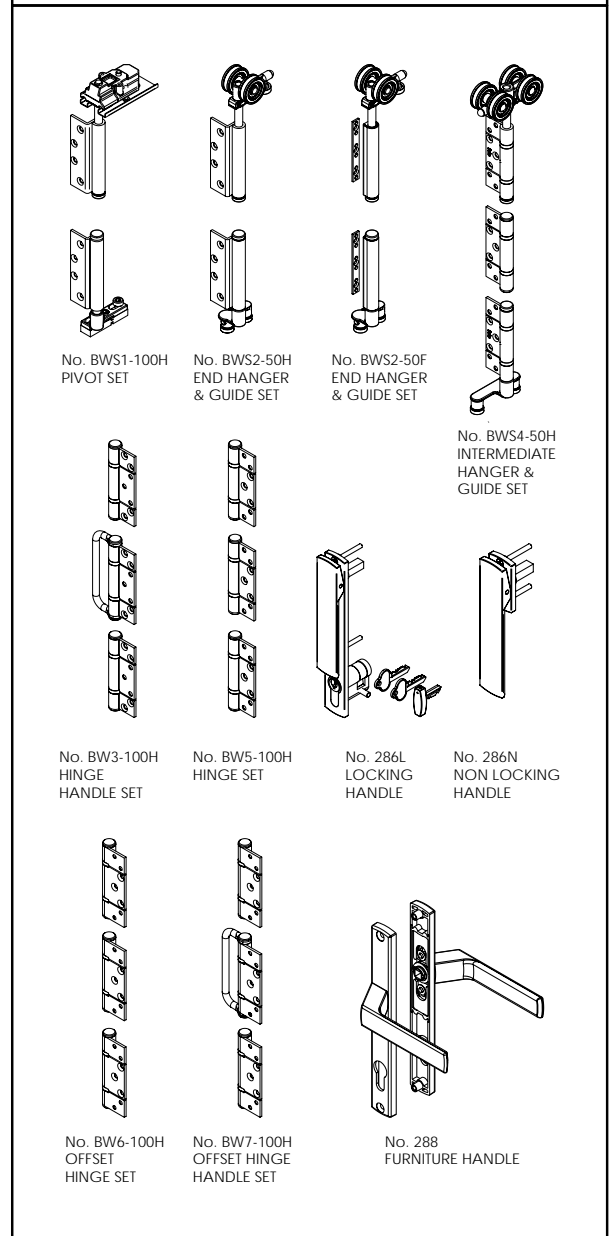
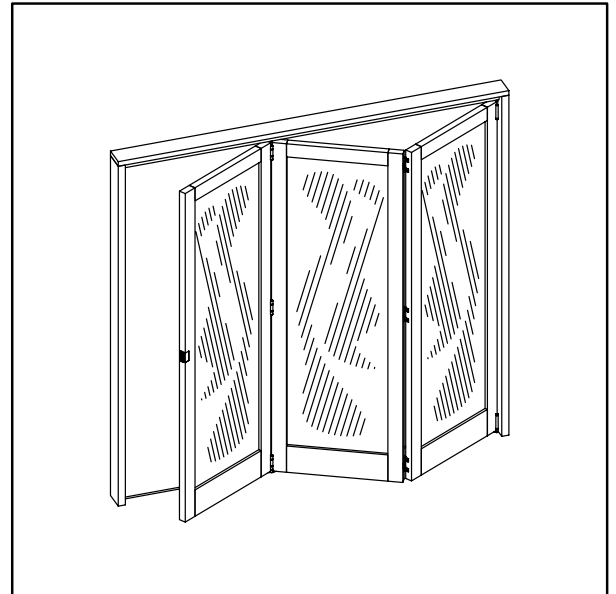
| Jamb Pivot: | BW189F | BW189F |
|-------------|--------|--------|
|-------------|--------|--------|

| Hinge Sets:             |          |          |
|-------------------------|----------|----------|
| Hinge Handle Set        | BW3-100H | BW3-100H |
| Offset Hinge Handle Set | BW7-100H | BW7-100H |
| Hinge Set               | BW5-100H | BW5-100H |
| Offset Hinge Set        | BW6-100H | BW6-100H |

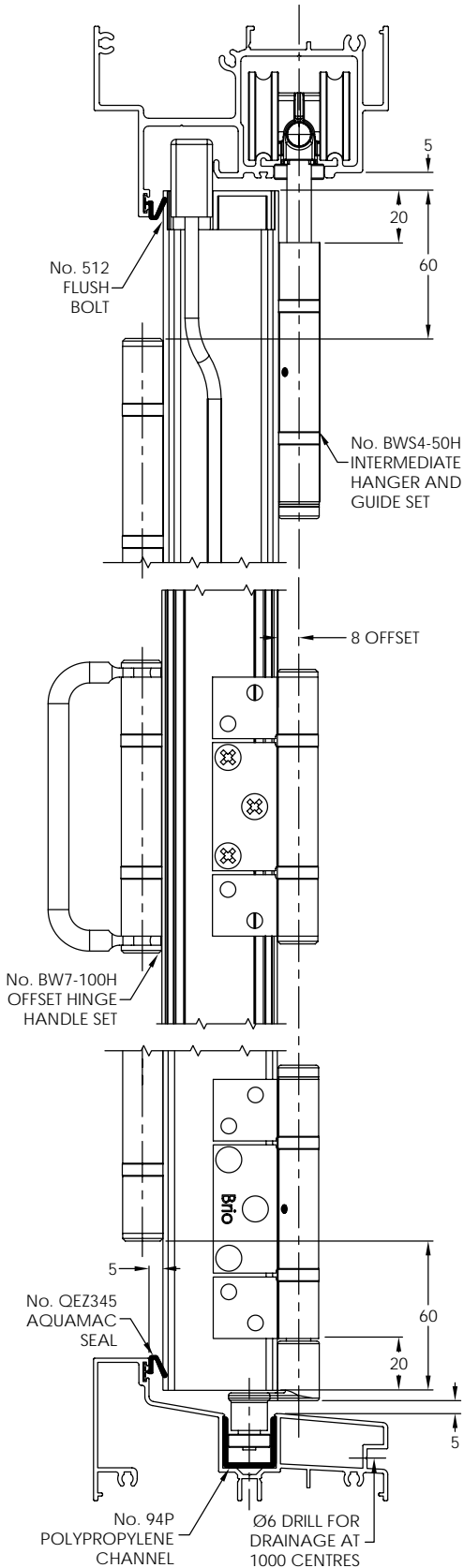
| Channels:             |                                   |       |
|-----------------------|-----------------------------------|-------|
| Polypropylene         | 94P                               | 94P   |
| Polyprop Plus Support | 94PPA                             | 94PPA |
| Aluminium             | 94A                               | 94A   |
| Standard lengths      | 2000mm, 3000mm, 4000mm and 6000mm |       |

| Accessories:                                    |         |         |
|---|---------|---------|
| Lever Furniture                                 | 288     | 288     |
| Lock Body                                       | 286A    | 286A    |
| Non Locking Body                                | 286N    | 286N    |
| Locking Handle<br>(Rod pack dependant on panel) | 286L-40 | 286L-40 |
| Flush Pull                                      | 402     | 402     |
| Flush Bolt - 400mm                              | 512-400 | 512-400 |
| Flush Bolt - 600mm                              | 512-600 | 512-600 |
| Flush Bolt - 900mm                              | 512-900 | 512-900 |

**Finish options**  
 Dual Point Lock: (SS) Satin Stainless, (PS) Polished Stainless, (SN) Satin Nickel, (PBR) Powdercoat Black  
 Hardware: (SS) Satin Stainless  
 Flush bolts: (SS) Satin Stainless



WEATHERFOLD 4s 50



WEATHERFOLD 4s 100

