

Brio Weatherfold 4s 150

Brio Australia
 P: +61 2 87186718
 W: brio.com.au
 E: brio.sales@allegion.com

Brio UK
 P: +44 191 2291224
 W: briouk.com
 E: brio.sales.uk@allegion.com

Brio USA
 P: +1 585 3195599
 W: briousa.com
 E: brio.sales.usa@allegion.com

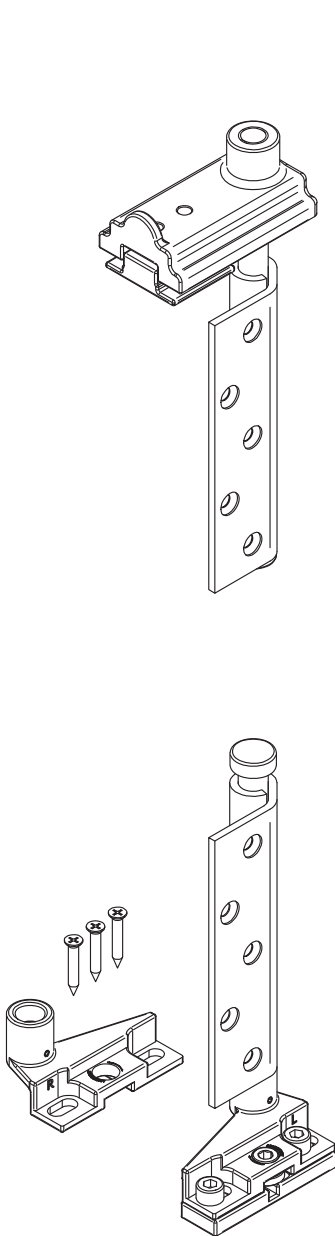
Codes

B WS 1 - 150 S H PR — Finish: PR (Physical Vapour Deposition Black), SS (Satin Stainless)
 — Hinge Type: See section Hinge Installation (page 5)
 — Bearing Type: S (Stainless Steel Bearing)
 — Load Capacity: 150kg (330lbs)
 — Set No.: 1 (Pivot Set), 2 (End Hanger Set), 4 (Intermediate Hanger Set),
 3 (Hinge Handle Set), 5 (Hinge Set), 6 (Offset Hinge Set),
 7 (Offset Hinge Handle Set)

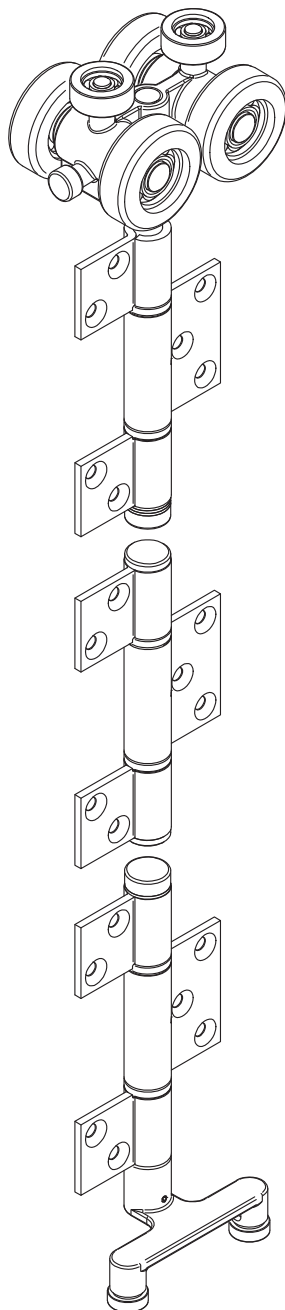
Brio Weatherfold 4s

Sets note codes do not show finish, hinge sets not shown to same scale

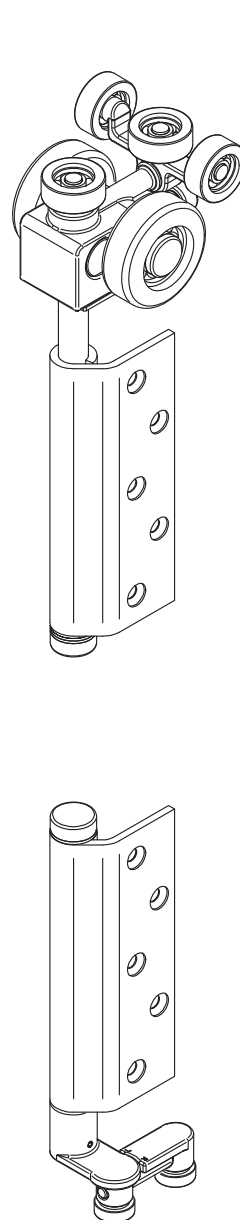
BWS1-150H



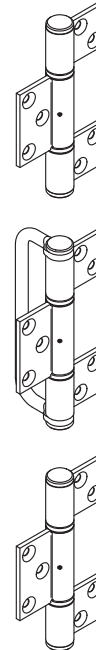
BWS4-150SH



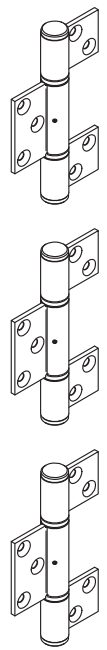
BWS2-150SH



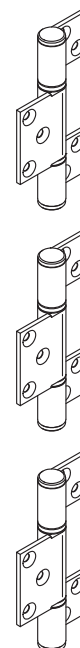
BW3-150H



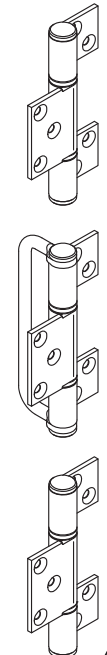
BW5-150H



BW6-150H



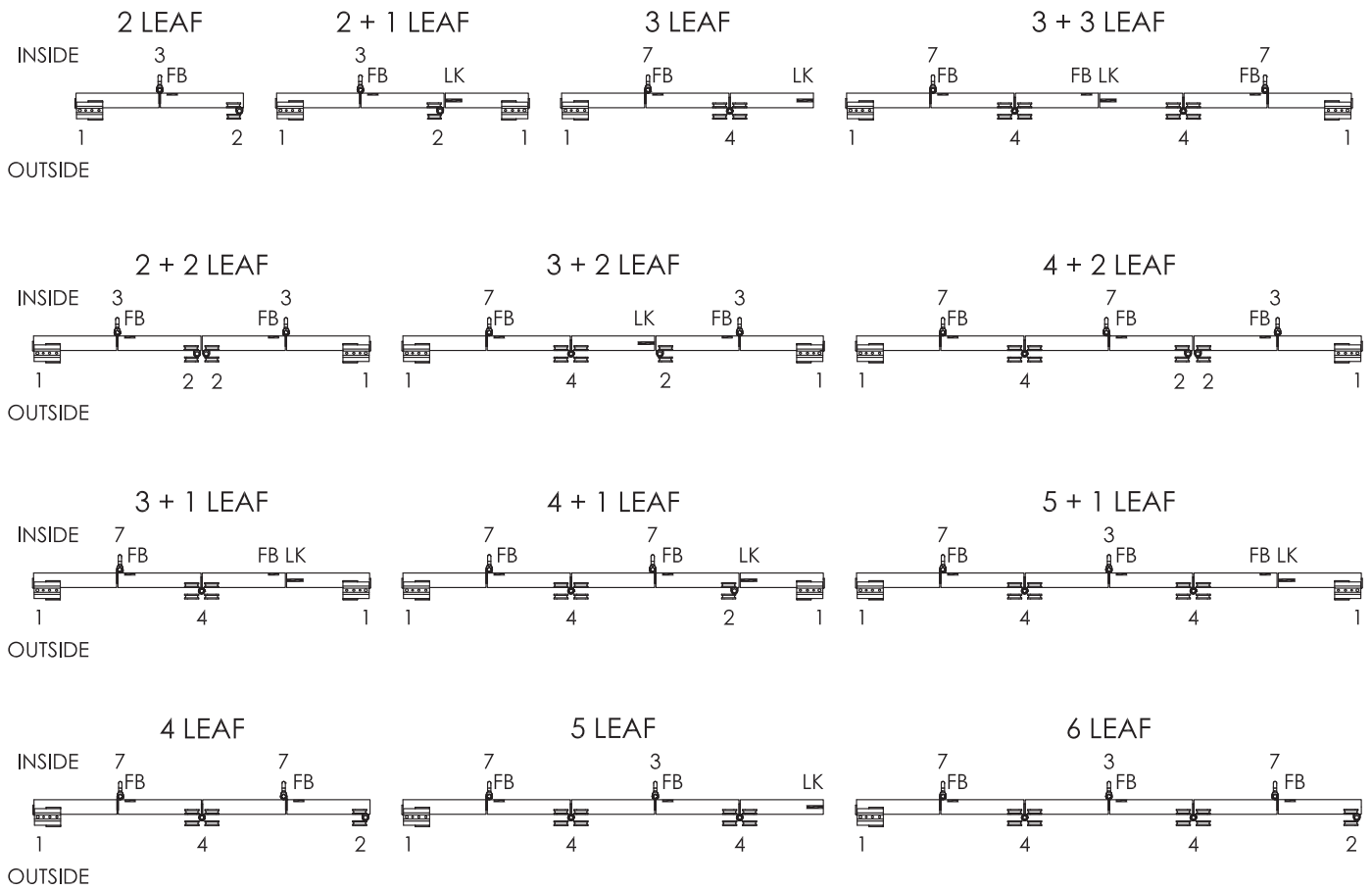
BW7-150H



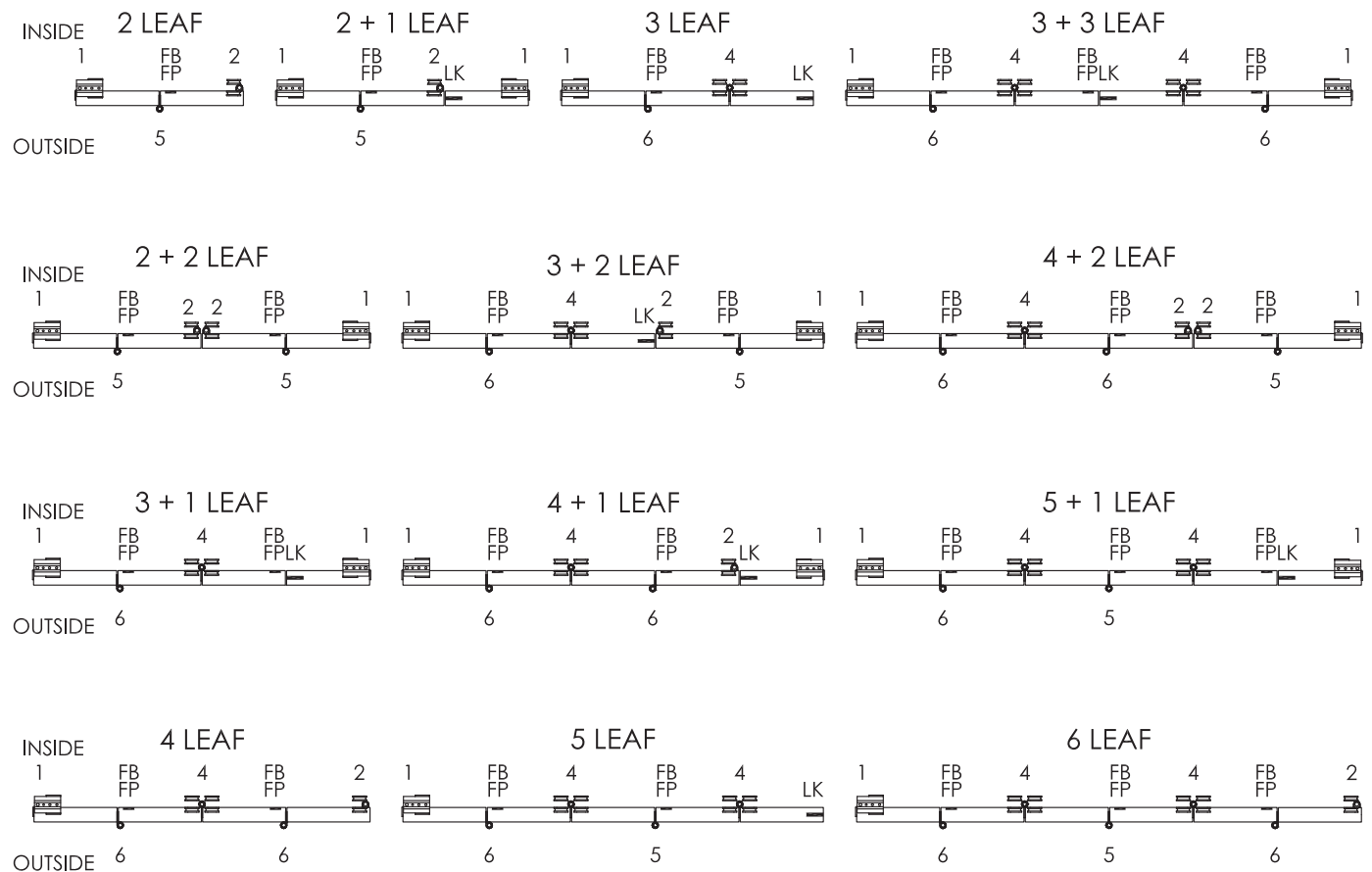
Door Hardware Set Orientation

FB = Flush Bolt, FP = Flush Pull, LK = Lock, left systems shown

OUTWARD OPENING



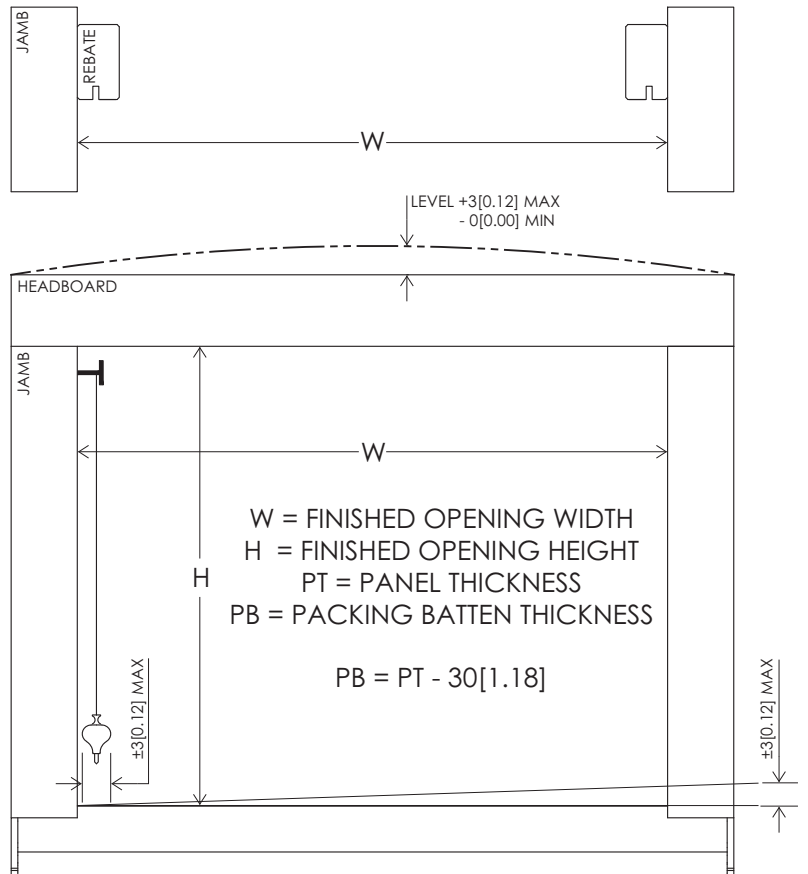
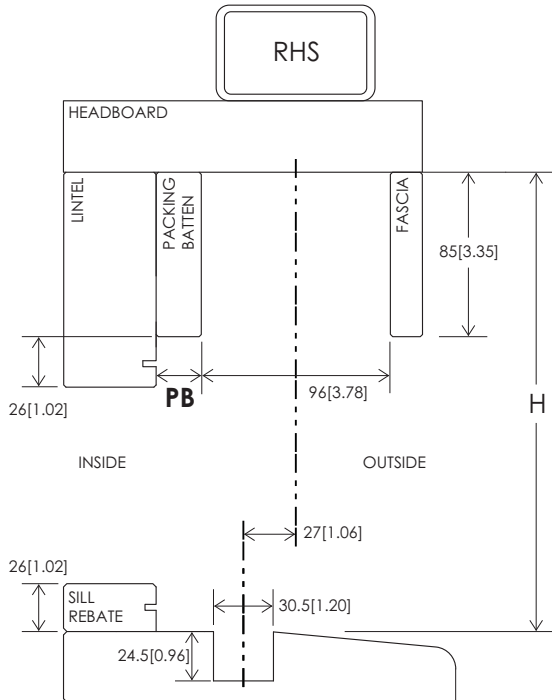
INWARD OPENING



Opening Preparation note outward opening, dimensions shown in mm[inches]

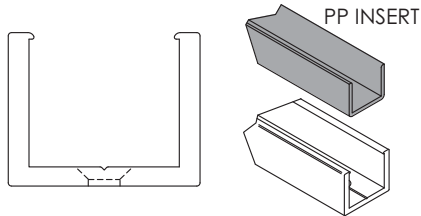
TRACK AND HEADBOARD TO BE FIXED TO LOAD BEARING STRUCTURE (STEEL BEAM)
CONSULT A STRUCTURAL ENGINEER

Timber headboard can be replaced with timber packers or gasket material



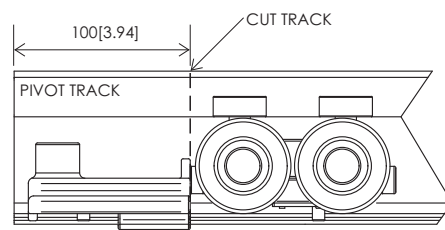
Track & Channel Preparation track & channel cut to length 'W' (finished opening width)

Countersink channel 20[0.79] from ends and at 400[15.75] intervals



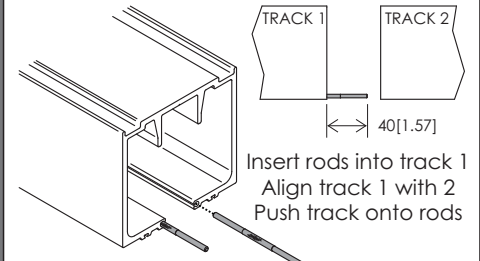
PP Insert = $W - 95[3.74]$, insert from non-pivot end after pivot installed

Cut track to allow access to hangers by removing track section



Install pivot track once hangers in

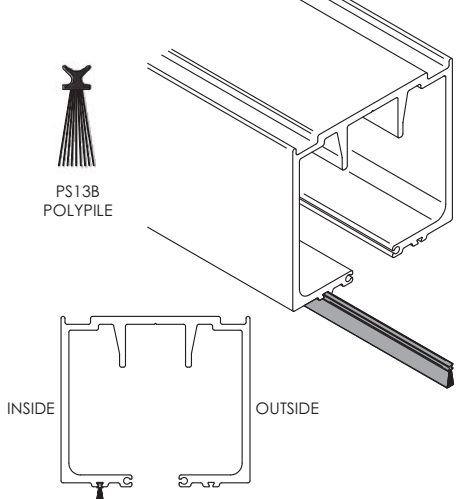
Use rods 700TJR for all other joints



Assemble sections before installing

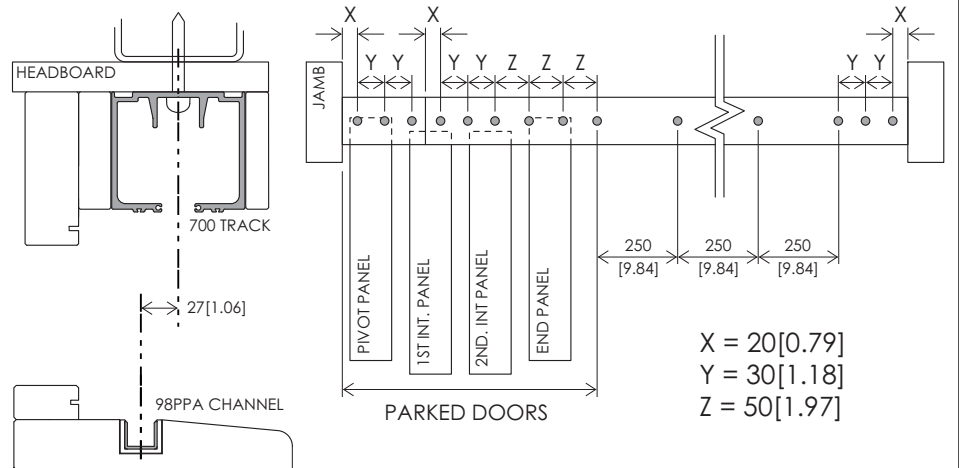
Install Track & Channel

Insert Polypile



Install polypile on inside of system

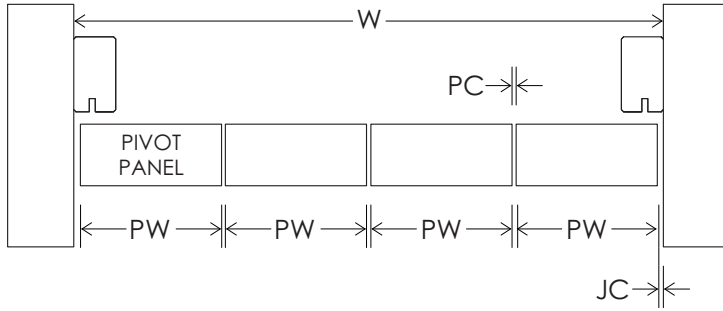
Fix track with 12G Roofing Screw by 100[4.00] through to RHS



After initial end of track fixings (X & Y) fix track at 50[1.97] intervals (Z) above all parked doors, then fix track at 250[9.84] intervals

Panel Size Calculation

Brio Weatherfold 4s allows for equal size panels

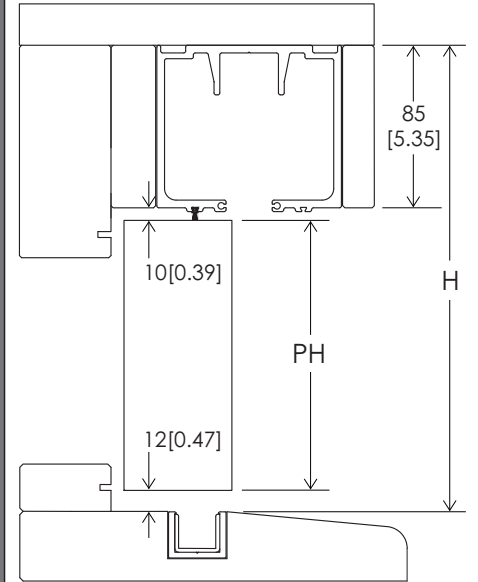


N = No. of Panels
 PW = Panel Width
 JC = Jamb Clearance = 8[0.32]
 PC = Panel Clearance = 4[0.16]

$$PW = \frac{W - [PC(N-1) + 2(JC)]}{N}$$

JC based on panels 1000[39.37] wide and 57[2.25] thick

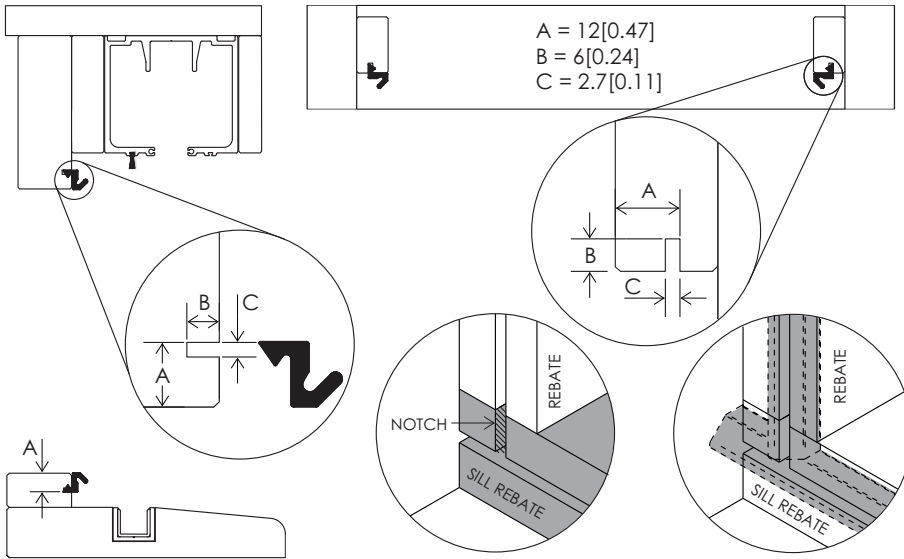
PH = Panel Height



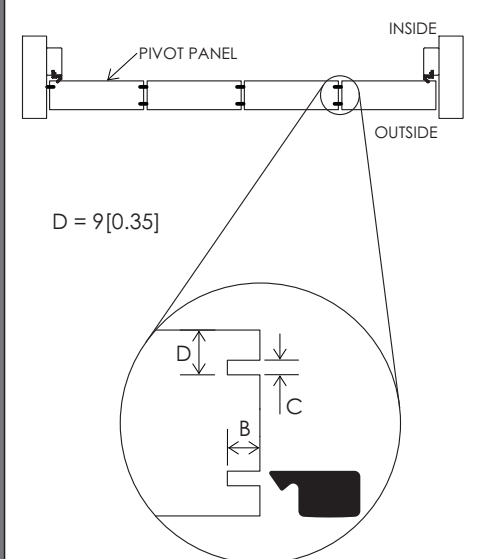
$$PH = H - 107[4.21]$$

Seal Preparation note left opening system shown

Frame - AQ21 perimeter seals to butt against each other in all corners

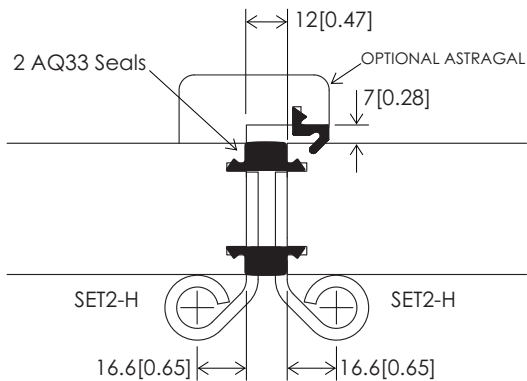


Panel - AQ33

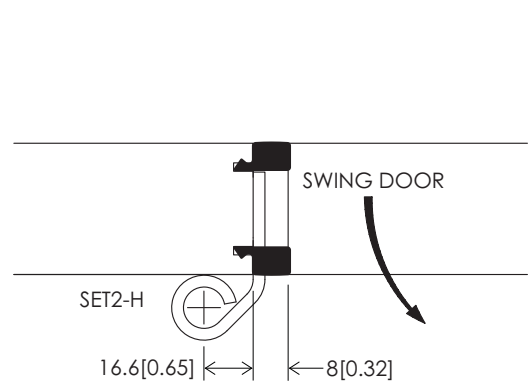


Meeting Door Selection

2 Meeting end panels

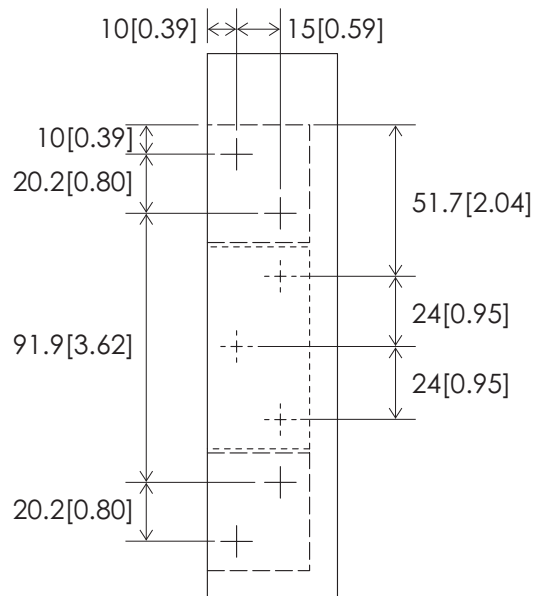
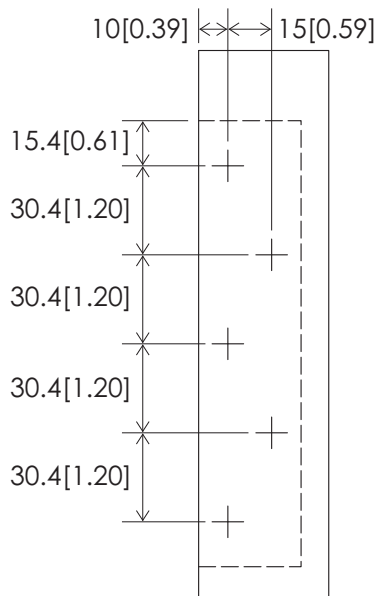
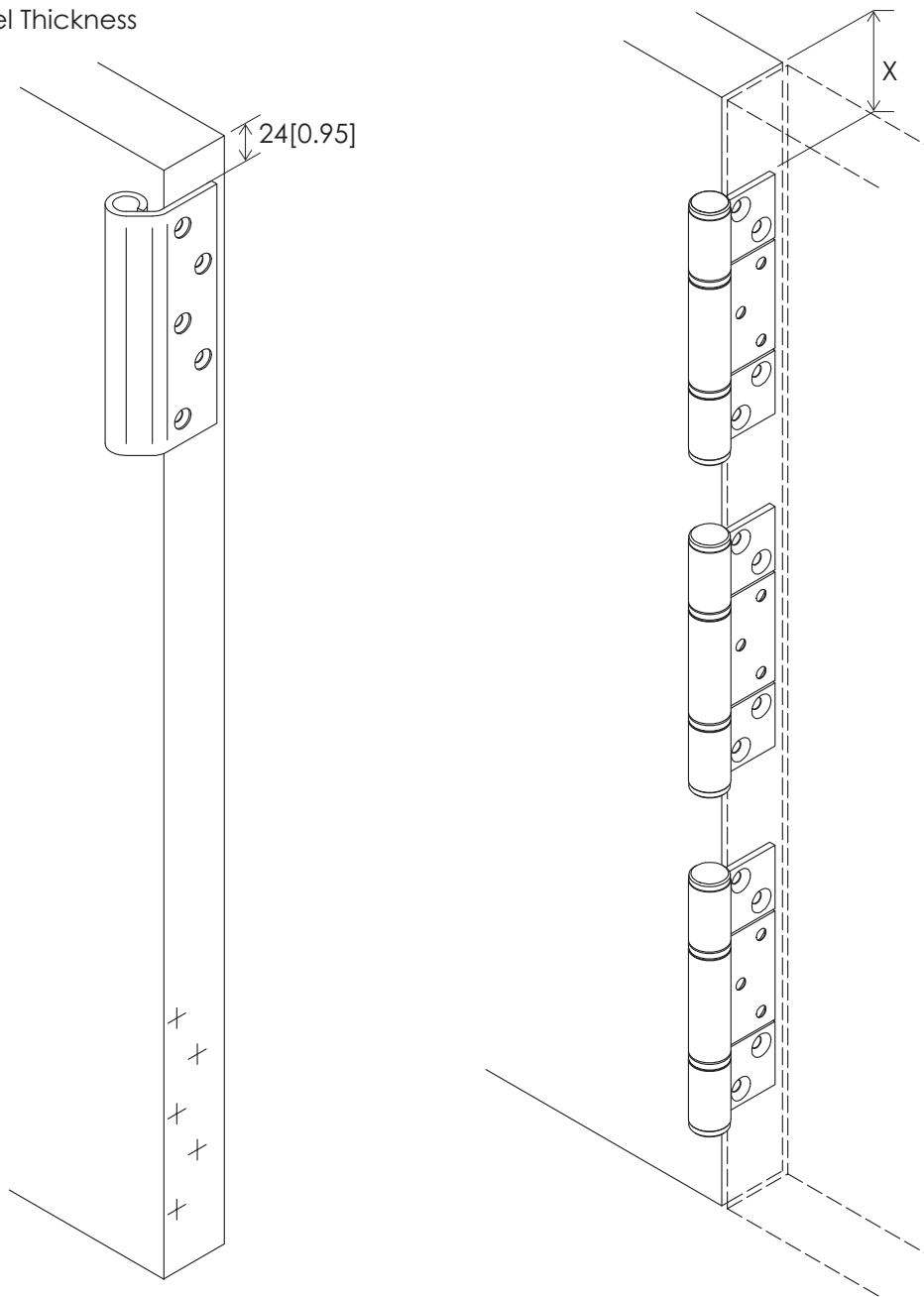


End panel meeting swing door



Hinge Installation Pilot hole of Ø3.5mm[0.14"] recommended

Non-mortice H
44[1.73]-68[2.68] Panel Thickness



X=24[0.95] on Set 4
X=60[2.36] min on Sets 3, 5, 6 & 7

End Guide

when viewed from outside doors folding left need a left end guide and vice versa for right

Handing End Guide

LEFT

RIGHT

Back off cap screw and rotate guide arm into left or right position

Determining System Orientation

INSIDE

OUTSIDE

Left, outward opening system

INSIDE

OUTSIDE

Right, outward opening system

Handing end set hinge

For Right: Flip hinge

ANTI-SHAKE SET/GRUB SCREW

LEFT

RIGHT

Lock off anti-shake set/grub screw

Bottom Pivot

when viewed from outside doors folding left need a left pivot and vice versa for right

Handing Bottom Pivot

LEFT

RIGHT

For Right: Interchange pivot arm

Flip base over

Secure assembly by locking off cap screws

Handing pivot set hinge

For Right: Flip hinge

ANTI-SHAKE GRUB SCREW

LEFT

RIGHT

Lock off anti-shake set/grub screw

Intermediate Set

security set/grub screw application

Hanger security

HEX DRIVE

ANTI-SHAKE SET/GRUB SCREW

HINGE PIN

HINGE

Anti-shake set/grub screw prevents pin being removed from hinge

Guide security

ANTI-SHAKE SET/GRUB SCREW

ANTI-SHAKE SET/GRUB SCREW

Lock off both set/grub screw

Optional Extras jamb pivot and flush bolts, see page 2 for flush bolt location on all configurations

Installation of jamb pivot

Hinge aligns with other centre hinges

Wind jamb pivot bolt in or out until it aligns with hinge pin

$X = PT + 17[0.67]$ Assemble after top and bottom pivot are set

Install flush bolt to panel

For square flush bolts chisel out corners

FLUSH BOLT	X
456R	190[7.48]
456RL	450[17.72]
456RLX-600	600[23.62]
456RLX-1000	1000[39.37]

Counter bore for lockable flush bolts

Router available for flush bolt

Install keeper to sill

Mark where flush bolt throw strikes sill and notch out hollow for dust box

Attaching Hardware to Panels recommended before installation

Ensure doors are level and square from top

Set 1, Set 4, Set 7

PIVOT PANEL, 1ST INT. PANEL, 2ND INT. PANEL, END PANEL

Installing Hardware and Hanging Panels clean down inside of track and channel

Viewed from outside, insert rollers through opening in correct order

Once all hangers in, attach pivot track section

Lock top pivot into position

CLAMP PLATE, CAP SCREWS

Place bottom pivot base in channel

98 Channel, 98 PP Insert cut 95[3.74] short of 98 Channel

Screw fix base in place

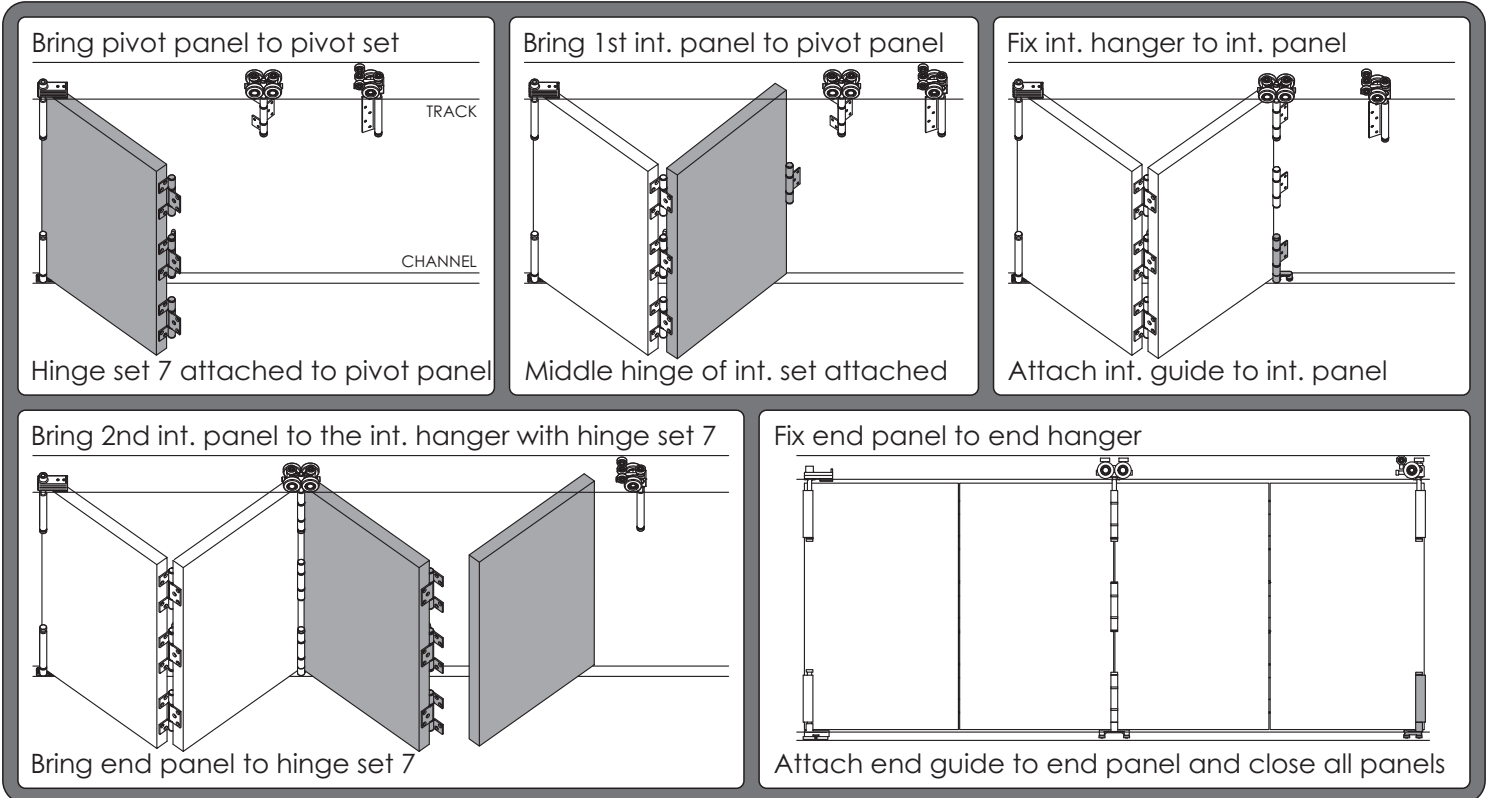
Assemble pivot

ARM & HINGE, CAP SCREWS, CAM

When cap screws loose, pivot arm can slide freely

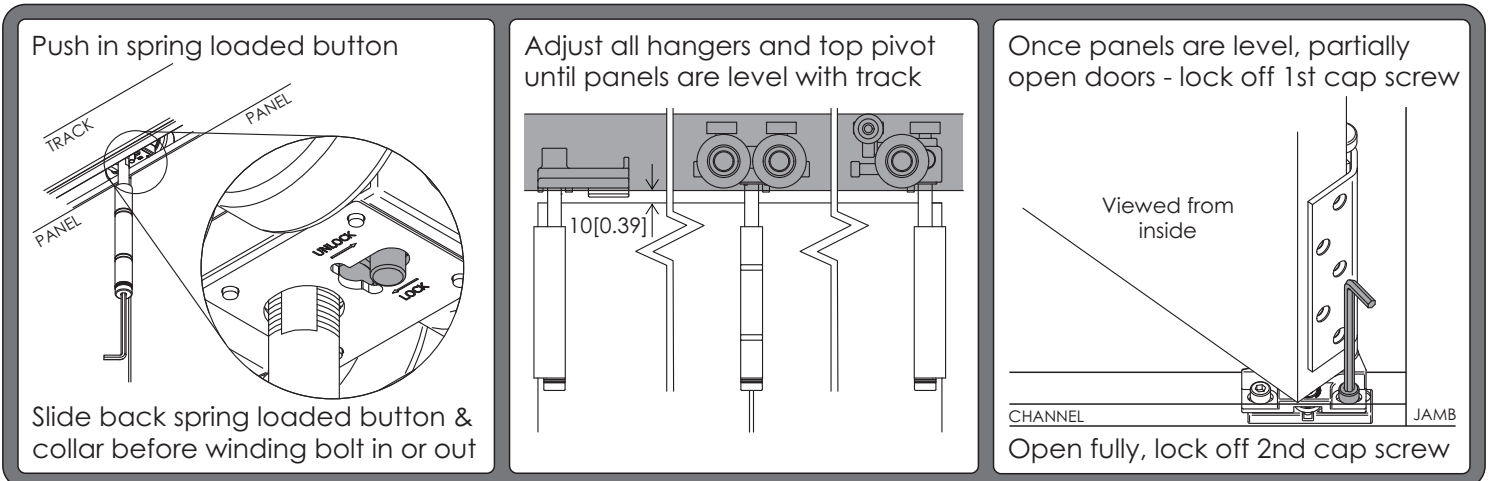
Securely assemble bottom pivot for installation

Hanging Panels



Adjustment

bolt locking mechanism applied to all hangers and top pivot



System Overview

