

Application

Brio's Zero Clearance Glass is an ideal internal system for residential and commercial applications for easy operation of toughened glass panels.

Designed to achieve minimal clearances of just 2.5mm between top edge of the glazing rail and underside of the track.

Zero Clearance Glass 100 hangers are equipped with precision bearings.

Panel Specification

Track System:

For Individual Panels:
 Max Panel Height
 Max Panel Width
 Max Panel Weight
 Panel Thickness

Zero Clearance Glass 100

3000mm
 1500mm
 100kg
 10-12mm

Standard Packs

Packs include hangers, door stops, glazing rail, glazing bead, guide and handle

Pack No.

ZG100-12/1
 ZG100-15/1

Max Panel Width

1200mm
 1500mm

Hardware Specification

Track:

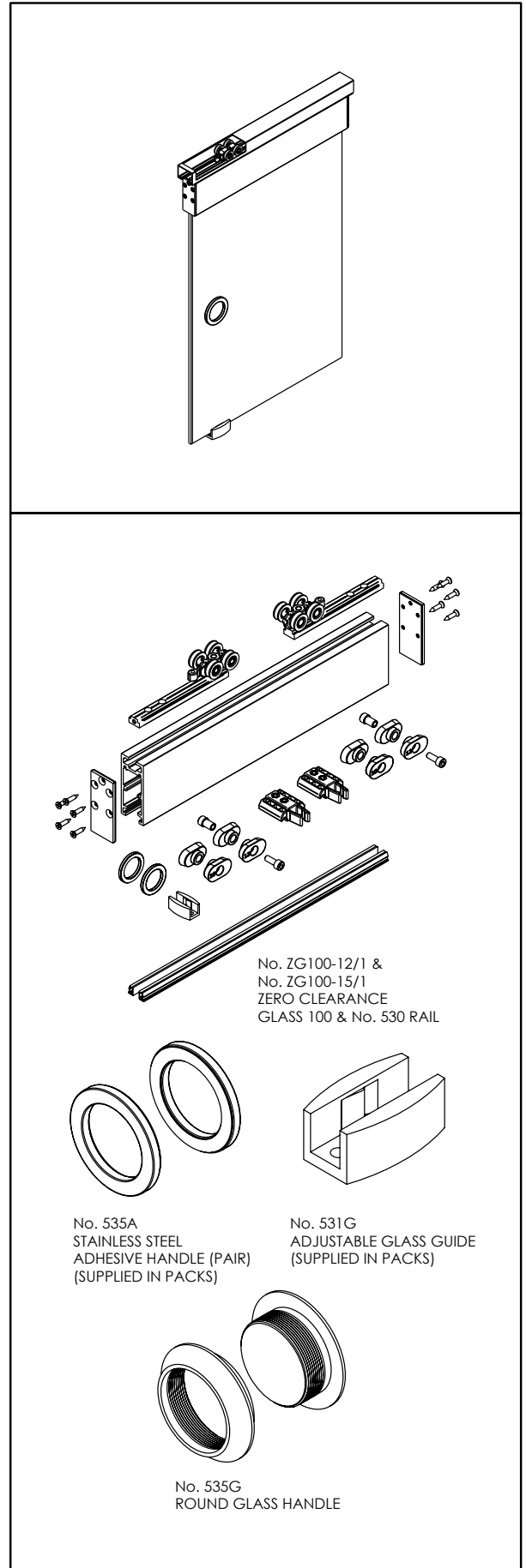
Material
 Standard lengths

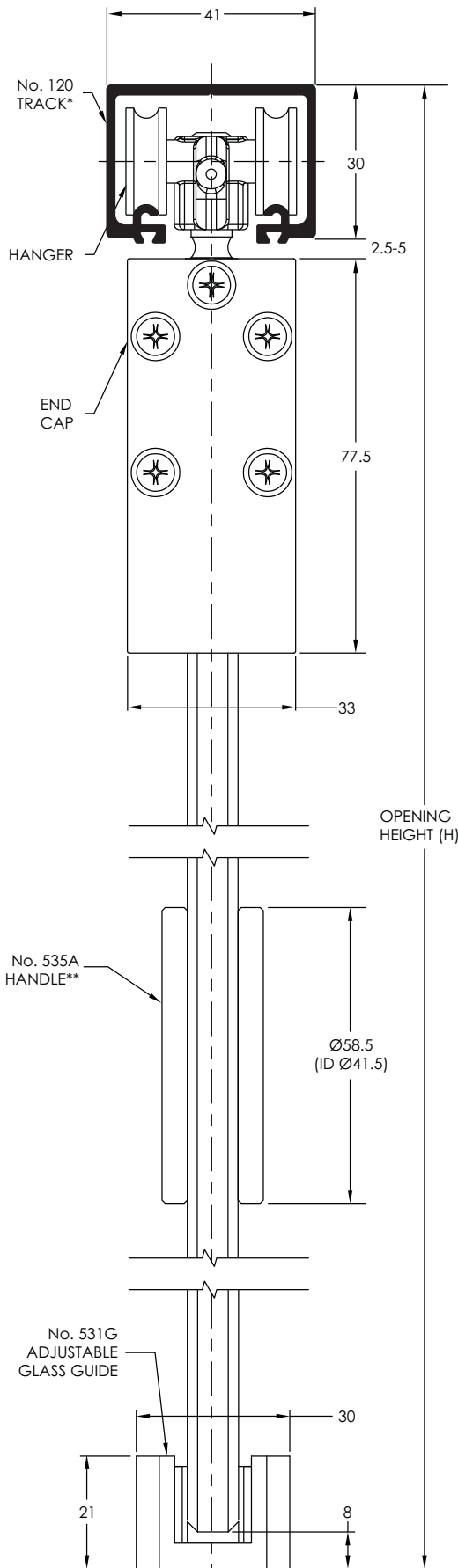
120
 Aluminium clear anodised
 2000mm, 3000mm, 4000mm and 6000mm

Accessories:

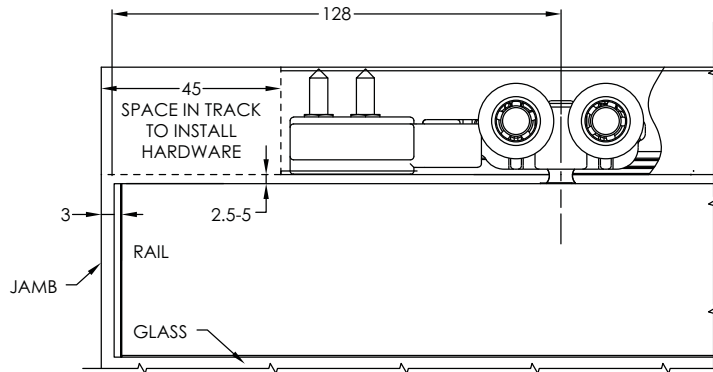
Handle
 Soft Close
 Clip Stop

535G
 100SCT
 100CS

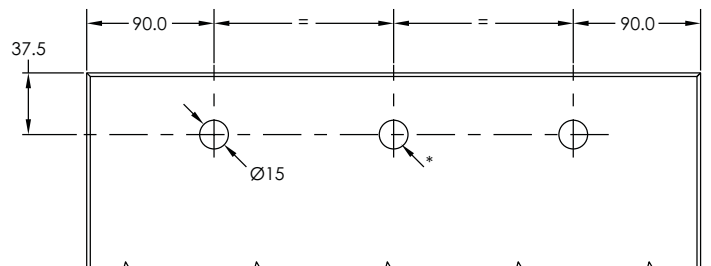




TRACK FIXING CENTRES
35mm FROM EACH END, 400mm MAXIMUM

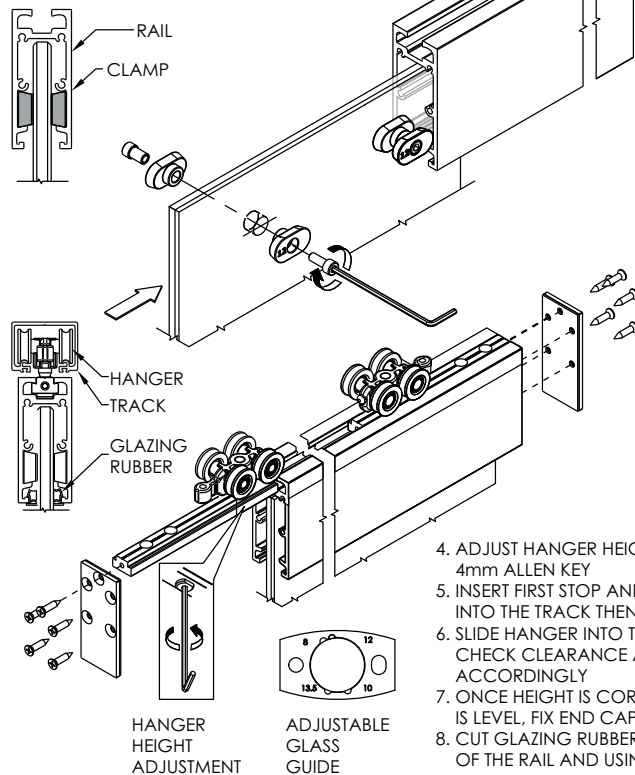


GLASS PREPARATION FOR ALL HANGERS
CUT GLASS SIZE = OPENING HEIGHT (H) - 60mm
FOR PANELS ≤ 1000 mm 2 FIXINGS REQUIRED
*FOR PANELS ≥ 1001 mm 3 FIXINGS REQUIRED



INSTALLATION

1. CHOOSE FITTING FOR 10mm OR 12mm GLASS.
2. CLAMP INTO PRE-DRILLED HOLES USING 5mm ALLEN KEY
3. INSERT CLAMPS INTO RAIL



* WHEN USING No. 100SCT SOFT CLOSE.No. 100 TRACK MUST BE ANODISED

** FOR No. 535G ROUND GLASS HANDLE, MACHINE A $\varnothing 50$ HOLE TO FIT HANDLE