

Application

For timber sliding panels on interior and exterior applications.

Designed for straight sliding partitions or fully glazed patio doors. Also suitable for flush panelled construction.

The bottom roller design is suited to applications where the supporting structure or lintel is insufficient for the weight of the panel or where headroom is limited.

To cover the width of opening, any number of panels can be used on single or multiple lines of rail. Panels can slide to one or both sides.

Where fitted externally, a canopy is recommended to protect the top guide channel, brackets and top guide rollers.

Panel Specification

Rail System:	Timberoll 170
For Individual Panels:	
Max Panel Height	2600mm
Max Panel Weight	170kg
Min Panel Thickness	40mm

Panels must be constructed with bottom rails of at least 150mm depth to accommodate the concealed, mortised, bottom rollers. Panel weight is carried on the floor permitting the use of a light overhead structure.

Hardware Specification

Top Guide Tee:	
Light Duty	96TA
Material	Aluminium
Standard Lengths	2000mm, 3000mm, 4000mm and 6000mm.

Not recommended in situations where the panel is likely to warp as panel could bind on the tee. The preferred option is the top guide channel and rollers. Top tee guide is drilled and countersunk for direct fitting to soffit.

Top Guide Channel:	
Medium Duty	94PPA Aluminium Support & Polypropylene
Material	Aluminium
Finish	Mill or Clear Anodised
Standard Lengths	2000mm, 3000mm, 4000mm and 6000mm.

Heavy Duty	900 Aluminium with safety lip
Material	Aluminium
Finish	Clear Anodised
Standard Lengths	2000mm, 3000mm, 4000mm and 6000mm.

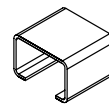
Top Guide Brackets:	
For single line - face fitted	1SS/250 Stainless Steel
For double line - face fitted	5SS/250 Stainless Steel
Constructed from cast 316 Stainless Steel, fit at 400mm maximum centres.	

Top Guide Rollers (2 per panel):	
Top Plate Fitting	106RB/94
Corner Fitting	113RB/94
Cast 316 Marine grade stainless with precision stainless steel bearings	
Top Plate Fitting	61SS/900 (for 900 Top Guide Channel)
Cast 316 Marine grade stainless plate with double nylon rollers with lateral adjustment to prevent rattle.	

Bottom Roller (2 per panel):	
Bottom roller	913SBA
Stainless steel body with brass wheel and ball race	

Bottom Rail:	
Brass	914B Rail
	918 Rail with edge guides
Standard lengths	2000mm, 3000mm, 4000mm and 6000mm.
These rails are drilled and countersunk for screwing to timber floor.	

Accessories:	
Flush Bolt	456
Flush Pull	401
Frame Seal	AQ21



No. 900A
GUIDE CHANNEL



No. 96TA
TOP GUIDE



No. 94PPA
CHANNEL



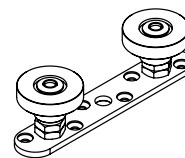
No. 914B
BOTTOM RAIL



No. 918
BOTTOM RAIL



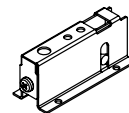
No. 924-48BZ
INTERLOCKER



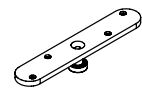
No. 61SS/900
TOP GUIDE ROLLER



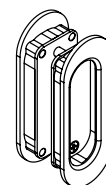
No. 113RB/94
GUIDE ROLLER



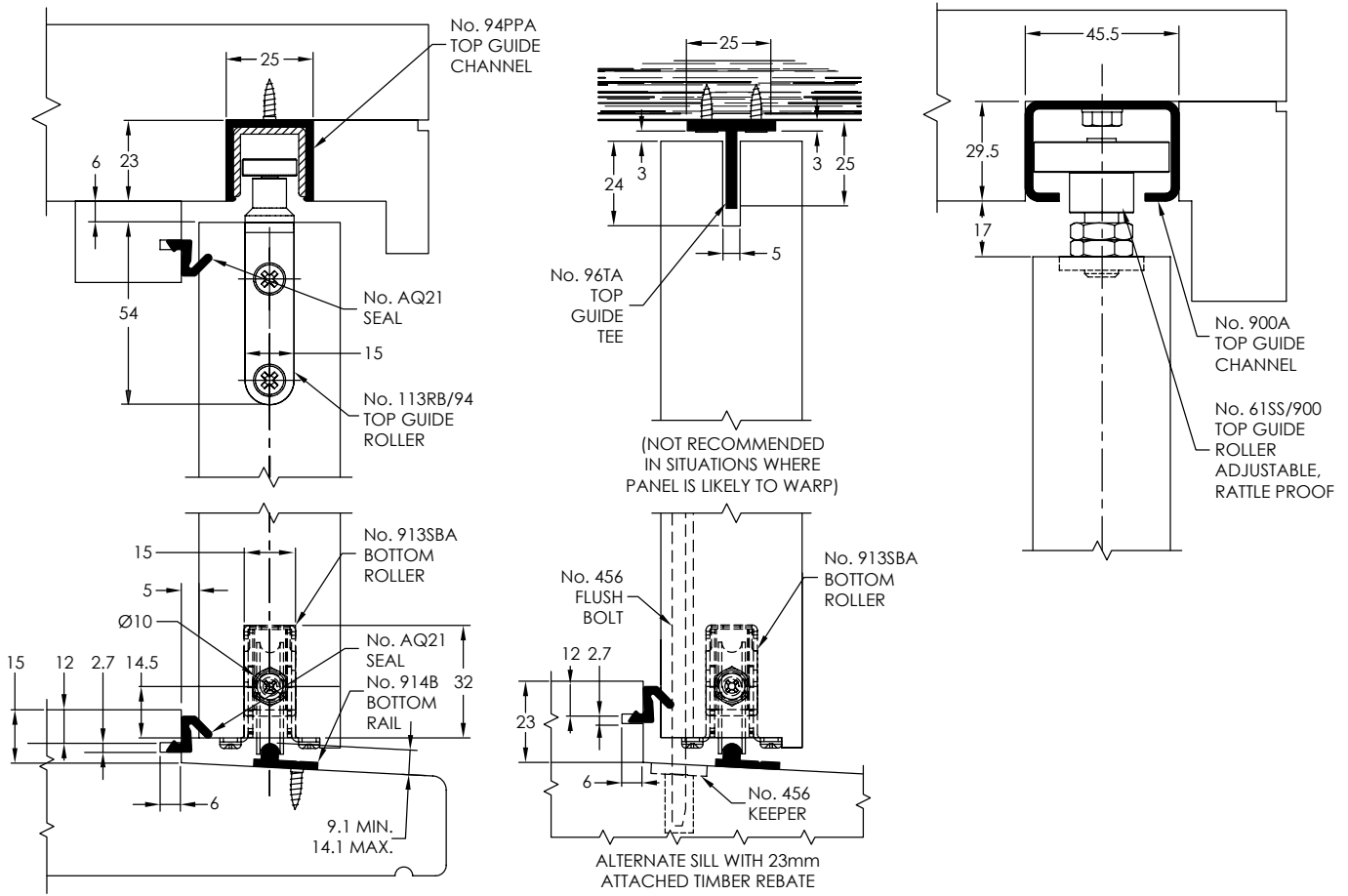
No. 913SBA
BOTTOM ROLLER



No. 106RB/94
GUIDE ROLLER



No. 401
FLUSH PULL



No. 913SBA END ADJUSTABLE BOTTOM ROLLER

